



ELEVATOR COMPONENTS

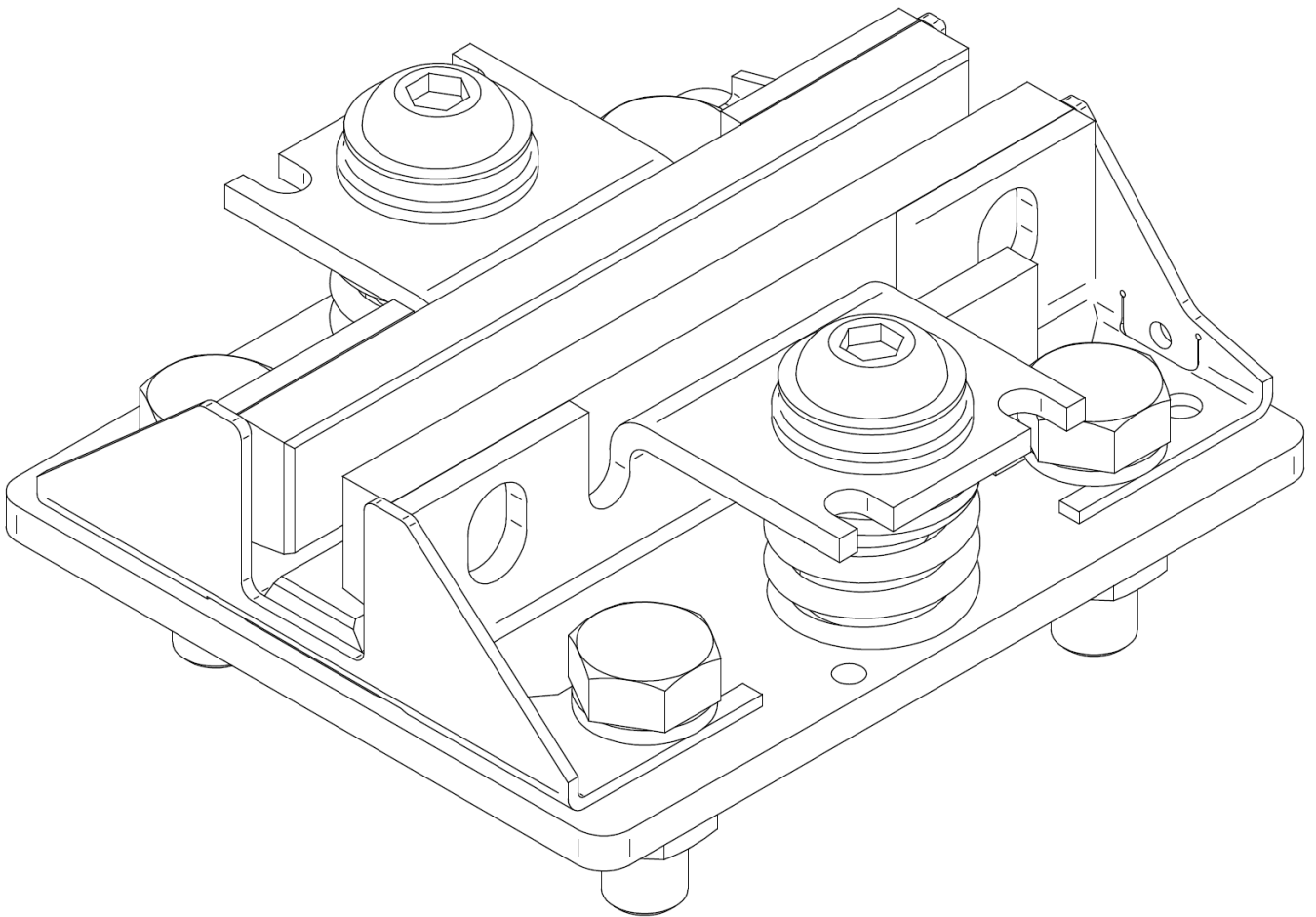
J&L Elevator Components

TECHNICAL SHEET

Pag. 1/2

BUFFERED GUIDE SHOE RE-G140

Ed. 01



ELEVATOR COMPONENTS



ELEVATOR COMPONENTS

J&L Elevator Components

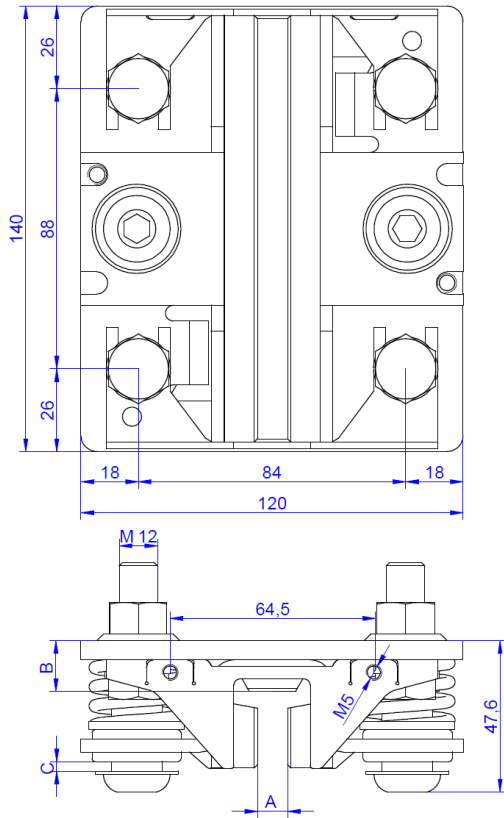
TECHNICAL SHEET

Pag. 2/2

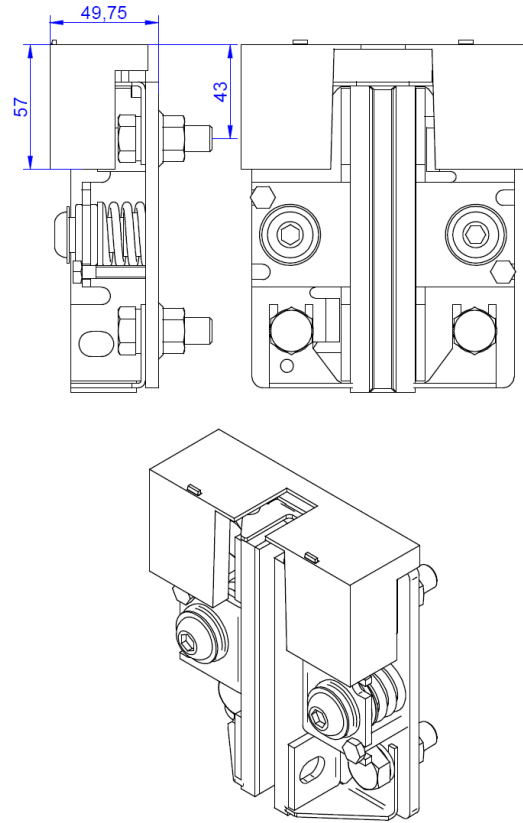
BUFFERED GUIDE SHOE RE-G140

Ed. 01

STANDARD



OPTIONAL LUBRICATOR E1



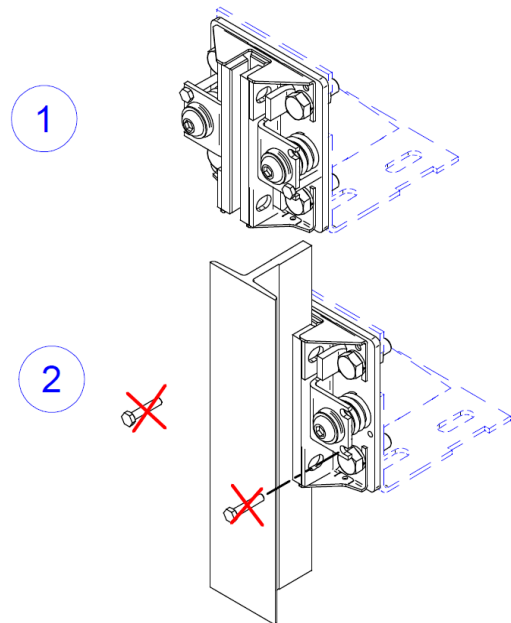
DATA

GUIDE SHOE INSERT	High sliding material			
	Measures:			30x30x134 mm
	GUIDE	T-8	T-9	T-16
	A	8,5	9,5	16,5
MEASURES		B	C	
	Max. Compression	16	3	
	Working position	17,5	1,5	
	Min. Compression	19	0	

NOTES

Initial lubricating is recommended.

ASSEMBLY



ELEVATOR COMPONENTS