

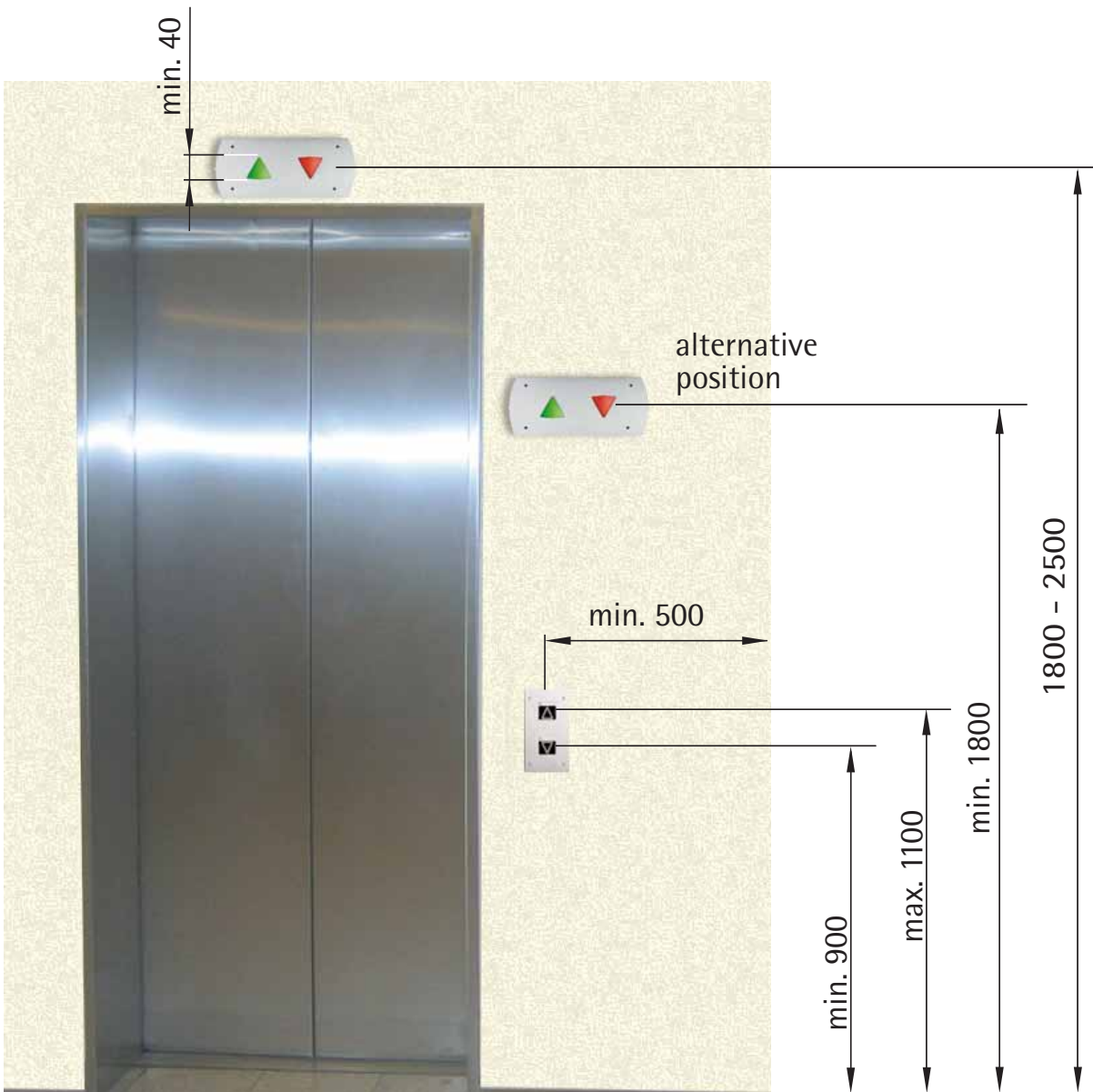
# SCHAEFER

Accessibility to lifts for persons including persons with disability

EN  
81-70



PRODUCT  
INFORMATION



## Landing control devices



MT 42 MB



RT 42 MB

**XL**



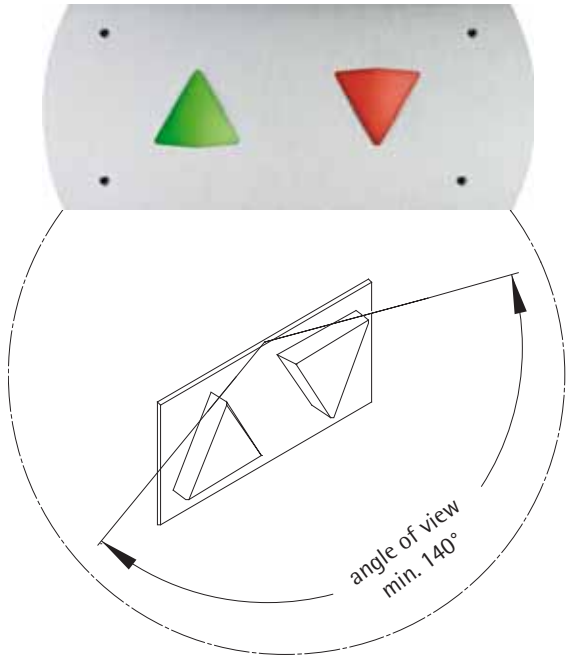
MT 56 MB

**XL**



MT 56 RLR

## Direction Indicator



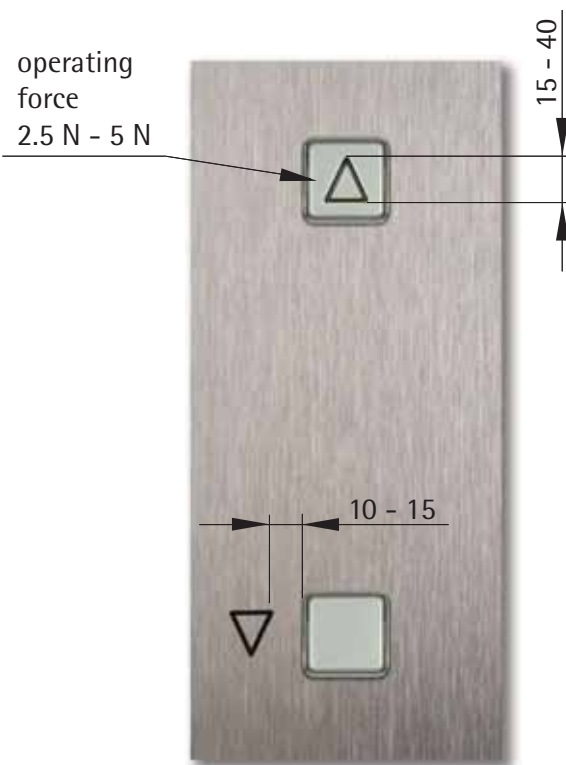
audible signal when lighting up

- one sound for up
- two sounds for down



Gong  
PG 56

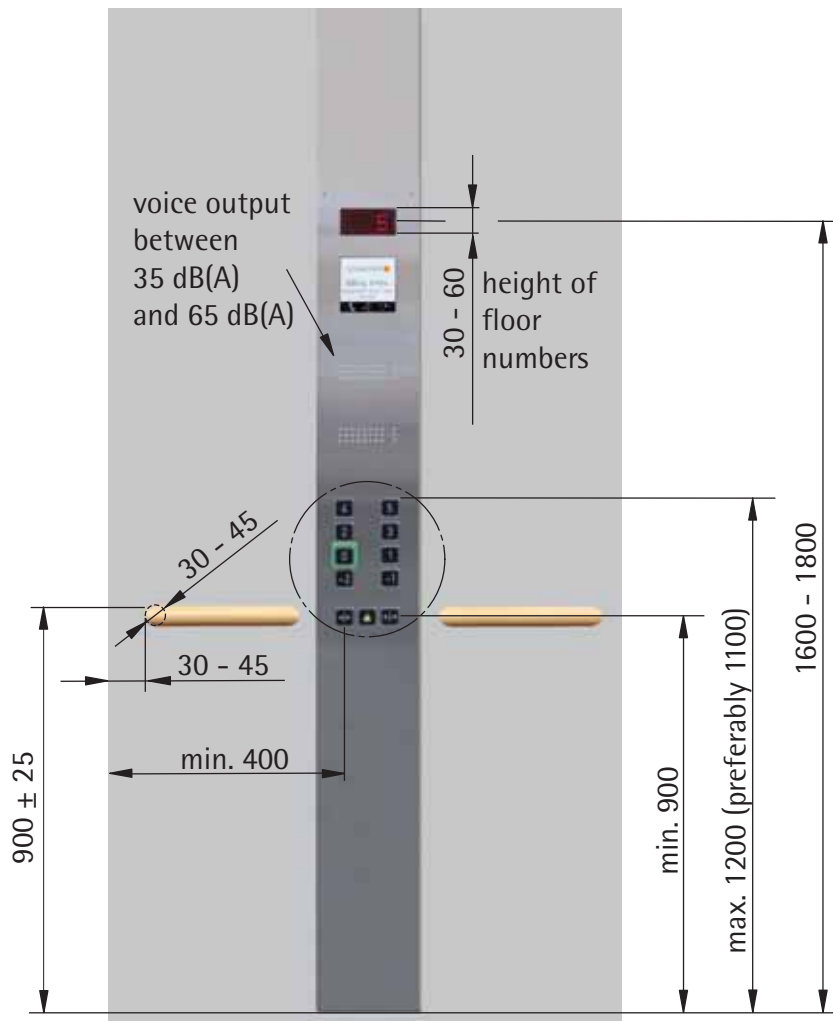
## Calling control



visible and audible registration  
feedback, adjustable between  
35 dB (A) and 65 dB (A)

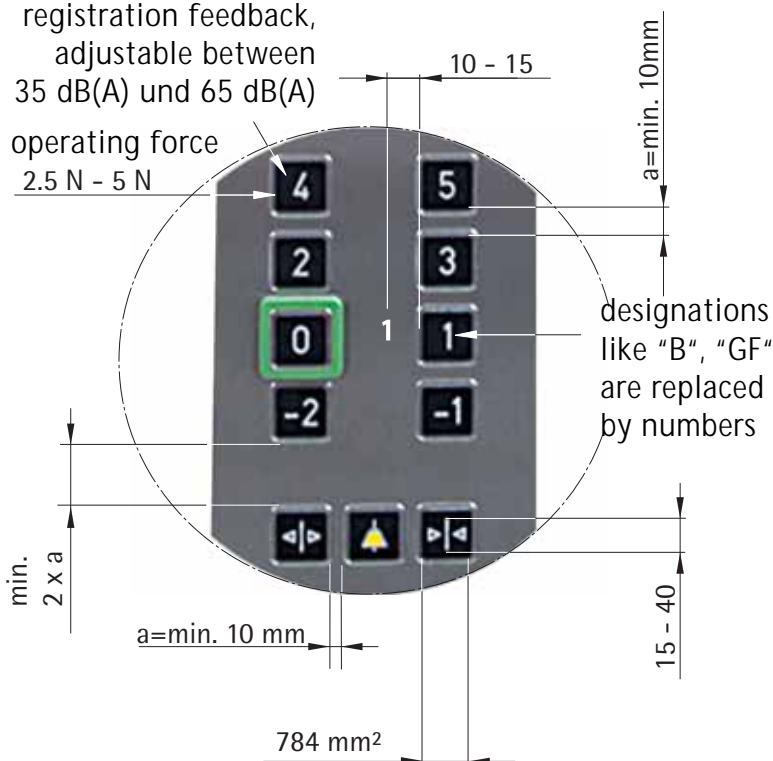


Module  
for audible  
Registration  
Feedback  
(AQ)



visible and audible registration feedback, adjustable between 35 dB(A) und 65 dB(A)

operating force 2.5 N - 5 N



buttons should protrude some millimeters beyond the car wall



## Buttons



floor buttons:  
identified by  
symbols  
-2, -1, 0, 1, 2, etc.

MT 42 MB Braille



door open button

MT 42 MB



button with green  
marking ring for  
exit building

MT 42 MB Braille



door close button

MT 42 MB

## Emergency call



alarm button with a yellow bell-shaped symbol

RT 42



yellow illuminated pictogram  
alarm has been given,  
audible signal to indicate that the alarm has been given

RA 42



green illuminated pictogram  
emergency call / alarm has been registered,  
audible signal to indicate that the alarm has been registered  
(voice link)

RA 42



Styles 42

## Grid dimension 42



marking ring  
exit floor  
Style 42 SQUARE  
MT 42



MT 42



marking ring  
exit floor  
EB 42, EBM 42



EB 42



EBM 42



marking ring  
exit floor  
Style 42 ROUND  
RT 42, RT 42 wg  
VB 42, VB 42 M



RT 42



RT 42 wg



VB 42



VB 42 M







Styles  
**56**

Grid Dimension 56



marking ring  
exit floor  
Style 56 SQUARE  
MT 56



XL

MT 56 MB

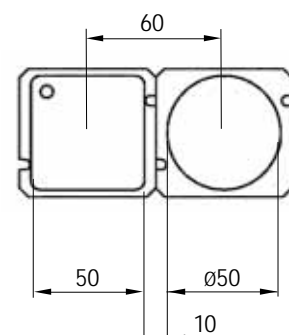
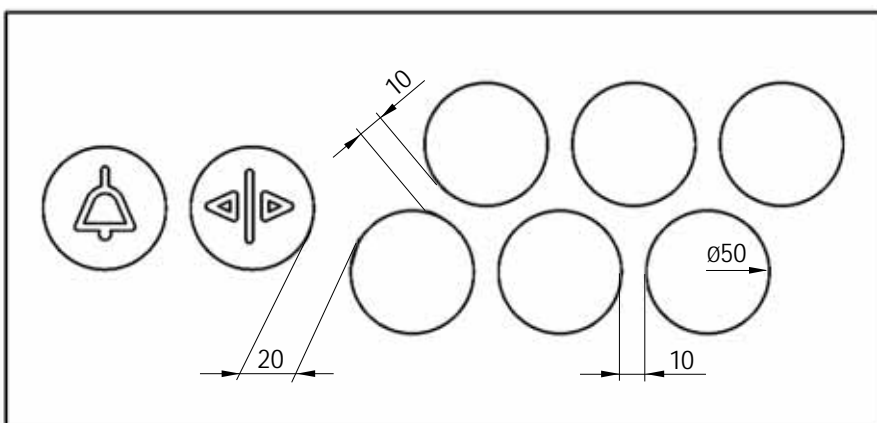
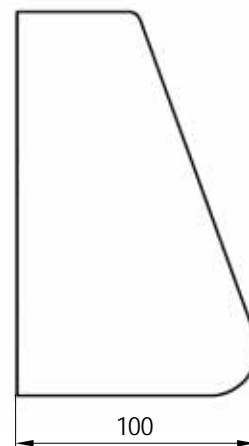
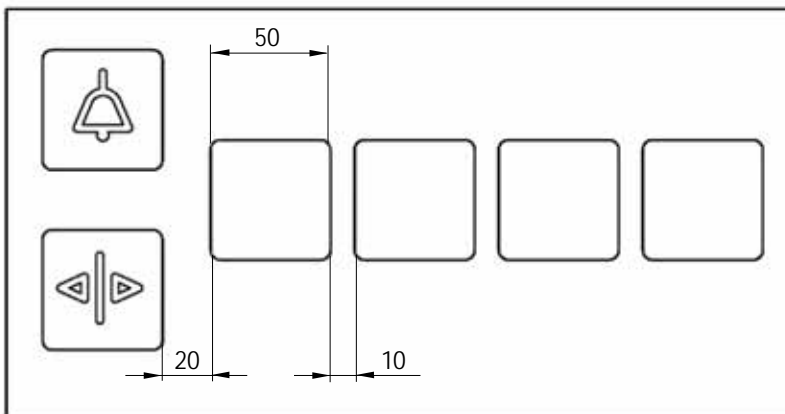


marking ring  
exit floor  
Style 56 ROUND  
MT 56



XL

MT 56 RLR





## Visual and tactile contrasts

SEE - FEEL - DISTINGUISH



- colour contrast
- adjusted illumination
- tactile figures and symbols
- Braille



For further information,  
please refer to catalogue