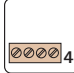





EPSILON Key Switch with profile half cylinder

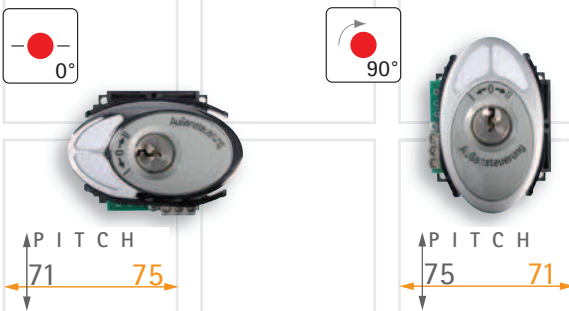



Characteristics

Fixing cover	snap ring
Faceplate thickness	1.5 mm ... 9 mm
Housing	Cr-p (chrome-coloured, polished) Cr-m (chrome-coloured, matt)
Connection technology	0.1 mm ² ... 1 mm ²
Recall light	 4
Multi-functional indicator	 LED ● ● ● ● ○
option	U = 30 V AC/DC U = 12 V AC/DC I = 20 mA

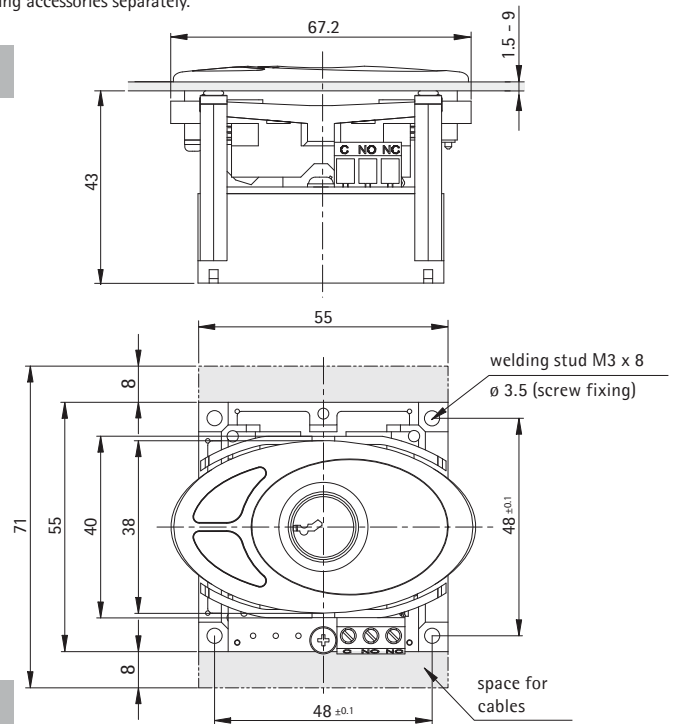


Combination switching element
S.. M.. 56/T.. M 56 I.. 8. 28 - I.. 8. 31



 Please order fixing accessories separately.

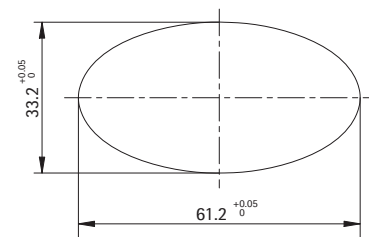
Dimensions



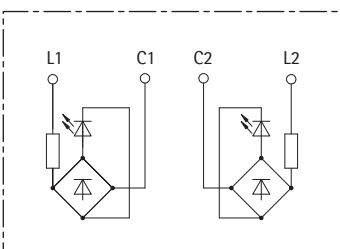
Rear view



Cutout



Wiring diagram recall light/multi-functional indicator



Marking



EK 42 KABA

EPSILON



EPSILON Key Switch with round cylinder type KABA

Cr-p
(chrome-coloured,
polished)



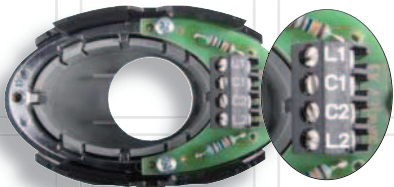
Cr-m
(chrome-coloured,
matt)



PITCH
81 75

PITCH
75 81

Rear view



Characteristics

Fixing cover
Faceplate thickness
Housing

snap ring
1.5 mm ... 9 mm
Cr-p (chrome-coloured, polished)
Cr-m (chrome-coloured, matt)

Connection technology
Recall light

0.1 mm² ... 1 mm²

Multi-functional
indicator

LED ● ● ● ● ○

option
U = 30 V AC/DC
U = 12 V AC/DC
I = 20 mA

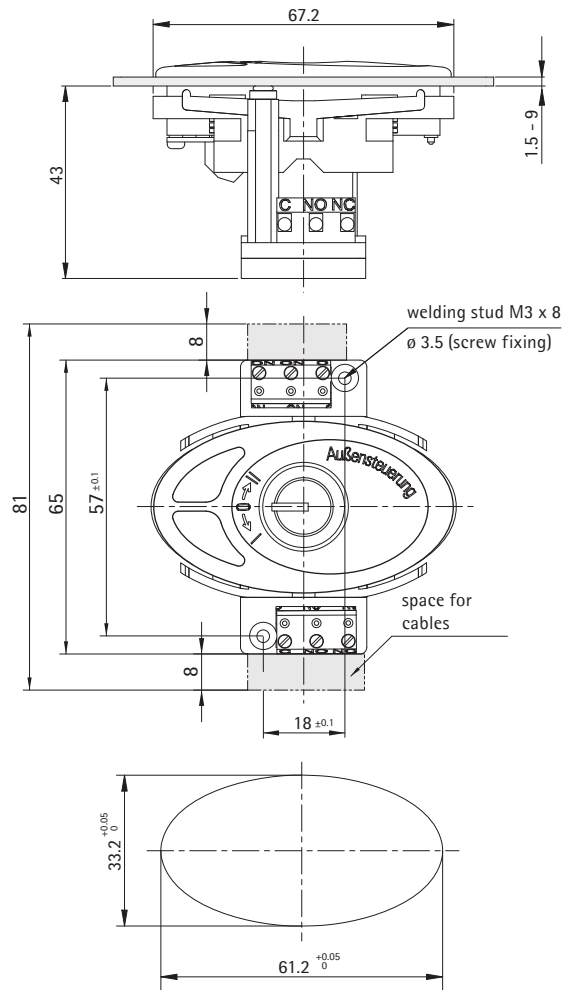


Combination switching element
S.. M.. 28/T.. M.. 28 I. 8. 3 - I. 8. 5



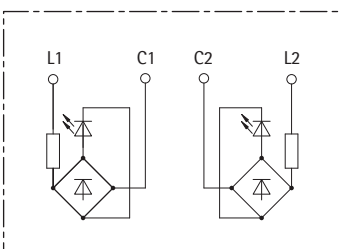
Please order fixing accessories separately.

Dimensions



Cutout

Wiring diagram
recall light/multi-functional indicator



Marking

