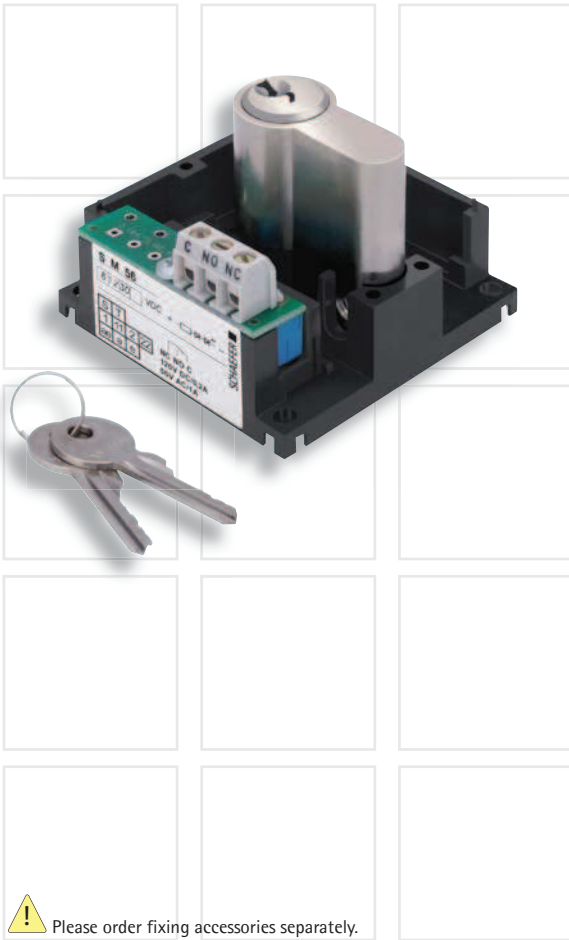


S.. M.. 56 / T.. M.. 56



Key Switch with profile half cylinder



Characteristics

Fixing

welding studs M3 x 8 (faceplate fixing)
screw fixing (back box fixing)

Faceplate thickness

2 mm ... 3 mm

Connection technology

screw terminal

max. 4 x  0.1 mm² ... 1.5 mm²

Switching element

snap switch

switching voltage = 120 V DC

switching current = 0.5 A ohmic load

switching current = 0.2 A inductive load (L/R=3 ms)

switching voltage = 30 V DC

switching current = 0.8 A ohmic load

switching current = 0.5 A inductive load (L/R=3 ms)


switching voltage = 50 V AC

switching current = 1 A

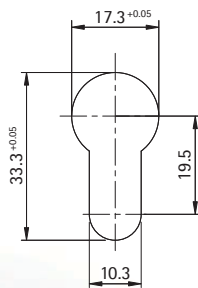
option Recall light



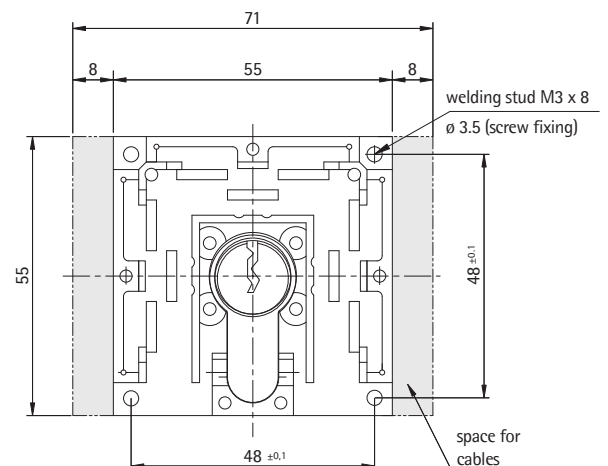
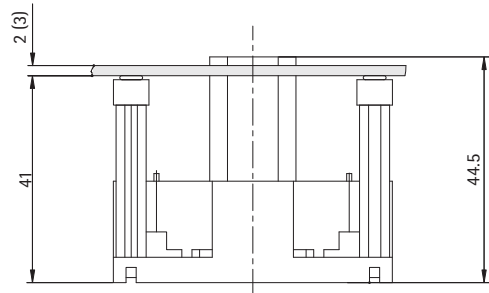
option U = 30 V AC/DC
U = 12 V AC/DC
I = 20 mA

 Please order fixing accessories separately.

Cutout



Dimensions

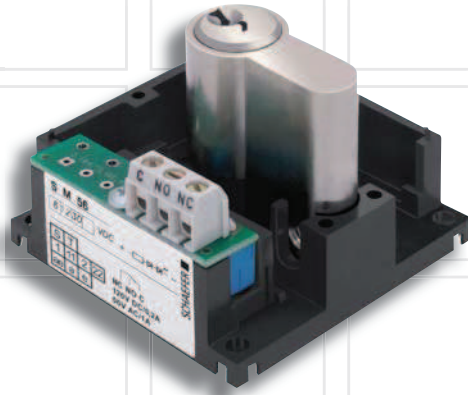


S.. M.. 56 / T.. M 56

Styles/Recall Lights



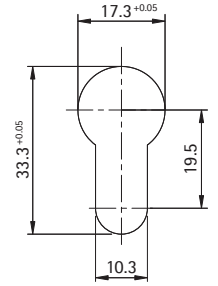
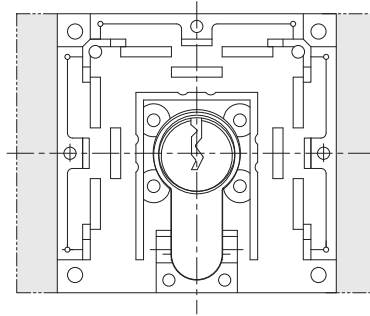
S.. M.. 56 / T.. M 56
without recall light



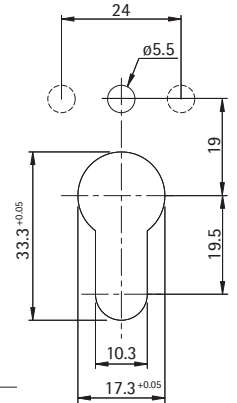
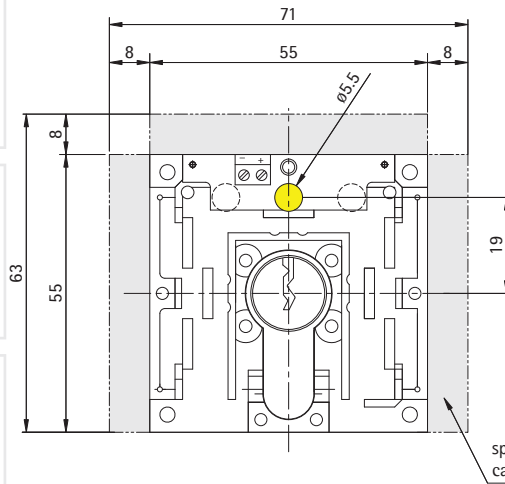
Dimensions



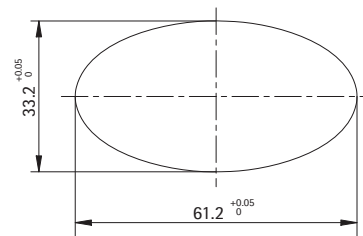
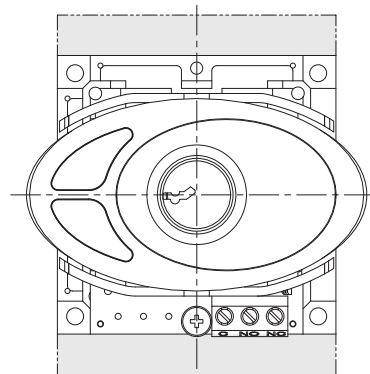
Cutout



S.. M.. 56 / T.. M 56
with single-LED recall
light



S.. M.. 56 / T.. M 56 (Style EK 42)
recall light multi-functional indicator



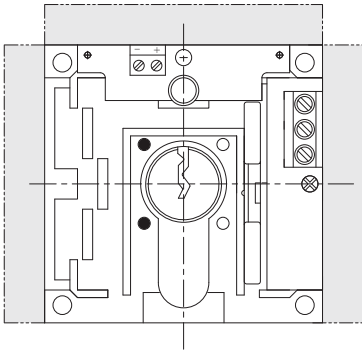
EK 42 I. 8. 18

S.. M.. 56 / T.. M 56



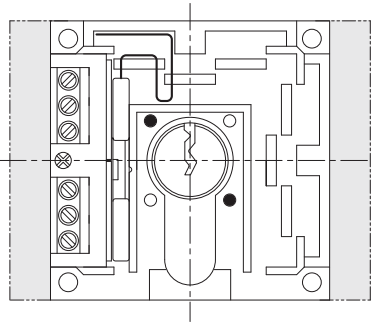
Examples

Example 1: S1 Me 56 LED
S = switch function



key switch with 1 snap switch,
key removal in position "on",
with recall light

Example 2: T2 M 56
T = impulse function (spring return)



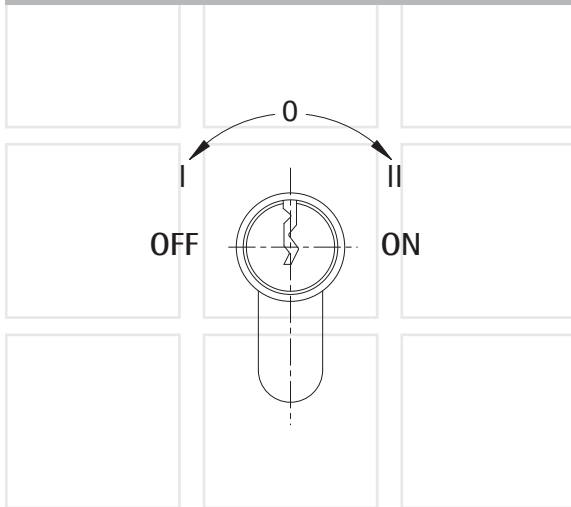
key switch with 2 snap switches,
key removal in position "off",
without recall light

Key removal (off + on)	Key removal (off)	Key removal (on)
<ul style="list-style-type: none"> S1 Mae 56 S2 Mae 56 S11 Mae 56 S22 Mae 56 	<ul style="list-style-type: none"> S1 Ma 56 S2 Ma 56 	<ul style="list-style-type: none"> S1 Me 56 S2 Me 56
	<ul style="list-style-type: none"> S11 Ma 56 S22 Ma 56 	
	<ul style="list-style-type: none"> T1 M 56 T2 M 56 	
	<ul style="list-style-type: none"> T11 M 56 T22 M 56 	
	<ul style="list-style-type: none"> S1 + S1 M 56 S1 + T1 M 56 T1 + S1 M 56 S2 + S2 M 56 S2 + T2 M 56 T2 + S2 M 56 	

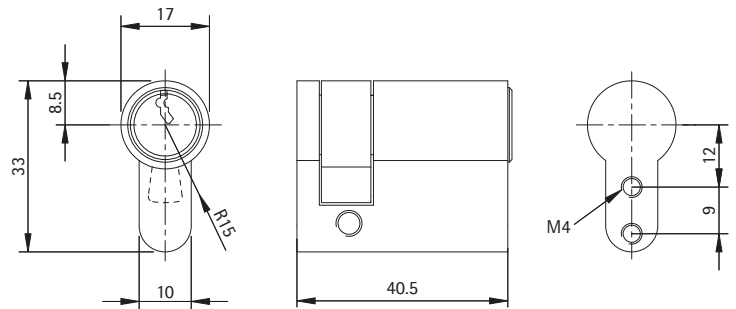
S.. M.. 56 / T.. M 56



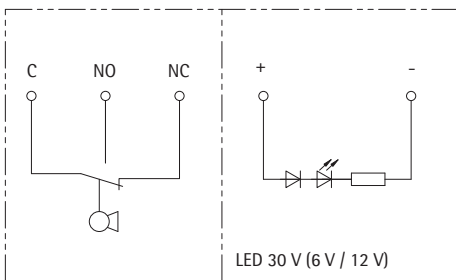
Switching positions and turning direction



Dimensions cylinder



Wiring diagram



Profile half cylinder

STUV product, 40.5 mm long,
locking nose vertically downwards,
fixing holes downwards,
surface nickel-plated
option brass-coloured

option

Key combination XN 47069
Key combination XN 13344
Key combination XN 47062
Key combination XN 47060

standard key combination
option

Further key combinations as well as key systems are available on demand.

Type	Recall light	Position	Key removal	left	right	Snap switch Function	Switch function engaging
S1 Mae 56	LED	0 + 0	0°=off 0°=360°=on	1	0		0 / I / II
S1 Ma 56	LED	0 + II	0°=off	1	0		0 / I / II
S1 Me 56	LED	I + 0	0°=on	0	1		0 / I / II
S2 Mae 56	LED	0 + 0	0°=aus 0°=360°=on	2	0	2 parallel	0 / I / II
S2 Ma 56	LED	0 + II	0°=off	2	0	2 parallel	0 / I / II
S2 Me 56	LED	I + 0	0°=on	0	2	2 parallel	0 / I / II
S11 Mae 56	LED	0 + 0	0°=off 0°=360°=on	1	1		0 / I / II
S11 Ma 56	LED	I + 0 + II	0°=off	1	1		0 / I / II
S22 Mae 56	LED	0 + 0	0°=off 0°=360°=on	2	2	2 x 2 parallel	0 / I / II
S22 Ma 56	LED	I + 0 + II	0°=off	2	2	2 x 2 parallel	0 / I / II
Type	Recall light	Position	Key removal	left	right	Snap switch Function	Impulse function spring return
T1 M 56	LED	0 + II	0°=off	1	0		0
	LED	0 + II	0°=off	2	0	2 parallel	0
T11 M 56	LED	0 + I + II	0°=off	1	1		0
	LED	0 + I + II	0°=off	2	2	2 x 2 parallel	0