

S.. M.. 28 / T.. M 28 KABA

Key switch with round cylinder type KABA



Characteristics

Fixing

welding studs M3 x 8 (faceplate fixing)
screw fixing (back box fixing)

Faceplate thickness

2 mm ... 3 mm

Connection technology

screw terminal

max. 2 x  0.1 mm² ... 1 mm²

Switching element

snap switch

switching voltage = 120 V DC

switching current = 0.5 A ohmic load

switching current = 0.2 A inductive load (L/R=3 ms)

switching voltage = 30 V DC

switching current = 0.8 A ohmic load

switching current = 0.5 A inductive load (L/R=3 ms)

switching voltage = 50 V AC

switching current = 1 A

option: Recall light



I. 8. 4

Style MT 28 square LED

Style MT 42

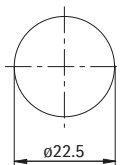
Style RT 42

Style EK 42 KABA

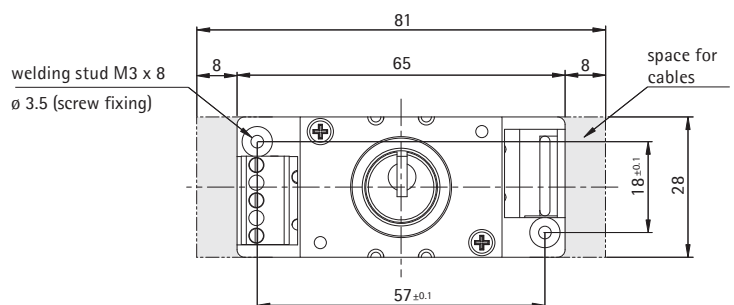
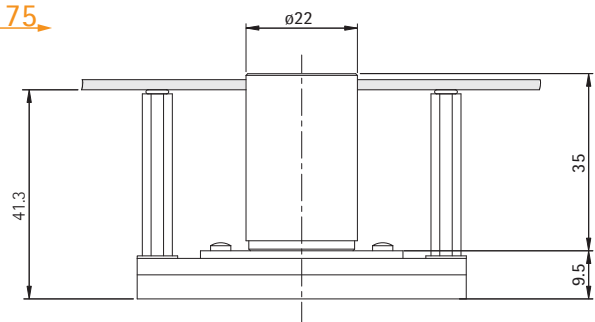


option U = 30 V AC/DC
U = 12 V AC/DC
I = 20 mA

Cutout



Dimensions

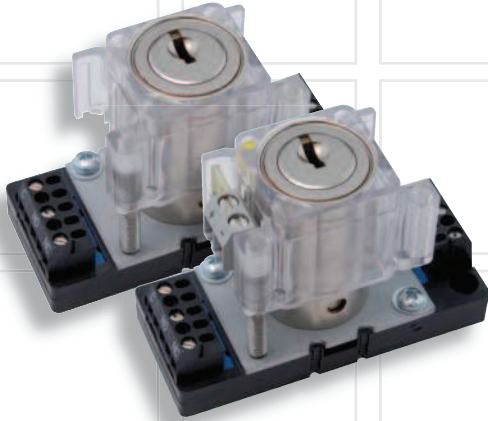


S.. M.. 28 / T.. M 28 KABA

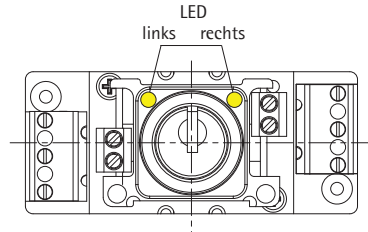


Styles/Recall Lights

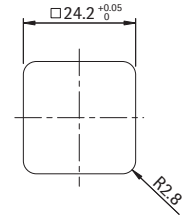
Style MT 28 square
without recall light or
with single-LED recall light



Dimensions



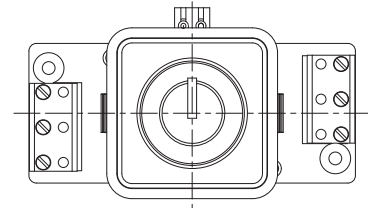
Cutout



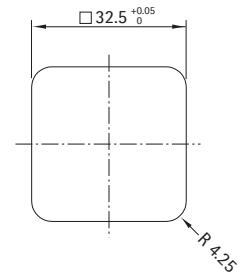
Style MT 42
recall light, halo



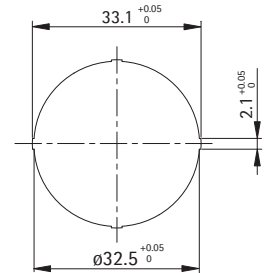
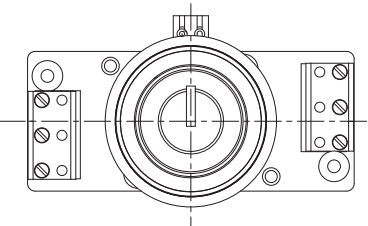
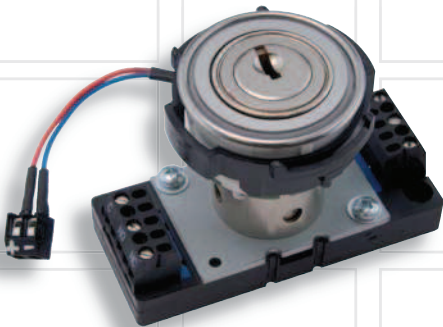
Dimensions



Cutout



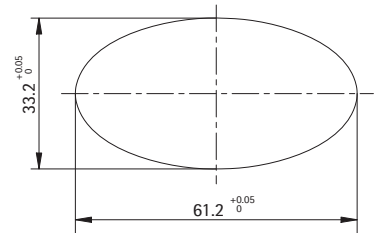
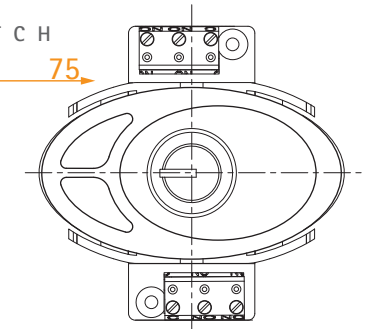
Style RT 42
recall light, halo



Style EK 42 EPSILON KABA
recall light
multi-functional indicator



! Marking possible!



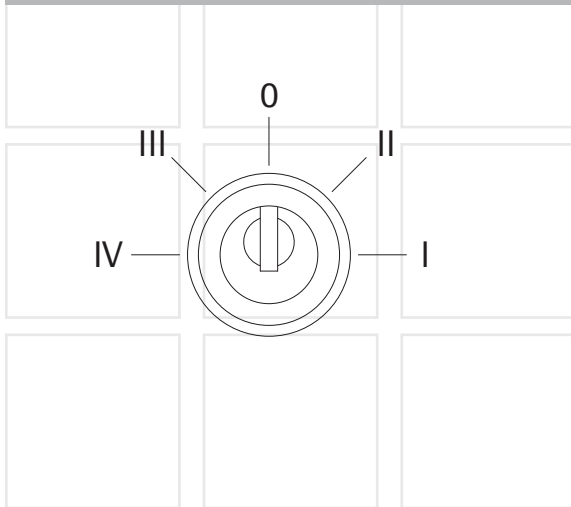
EK 42 I. 8. 19

S.. M.. 28 / T.. M 28 KABA

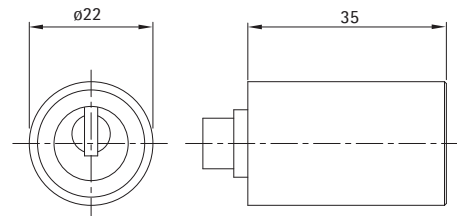
Key switch with round cylinder type KABA



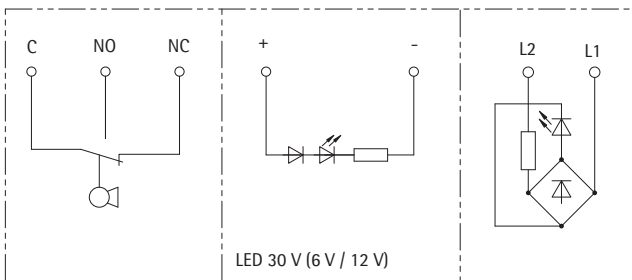
Switching positions and turning direction



Dimensions cylinder



Wiring diagram



Style RT 42
Style MT 28 square

Style MT 42

Round cylinder

option

KABA product, 35 mm long,
locking nose at rear,
surface nickel-plated
brass-coloured

KABA 5000

standard key combination

KABA cylinder

1062 A (switch function)

KABA cylinder

1062 T (impulse function)

Further key combinations are available on demand

| Type | Recall light | Key | | Snap switch | | | Switch function engaging |
|-----------|--------------|--------------|-------------|-------------|-------|----------|--------------------------------|
| | | Position | Key removal | left | right | Function | |
| S1 Mae 28 | LED | 0 + I | 0 + I | 1 | 0 | | 0 to IV |
| S1 Ma 28 | LED | 0 + II | 0 | 1 | 0 | | 0 to IV |
| S1 Me 28 | LED | I + II | I | 1 | 0 | | 0 to IV |
| S2 Mae 28 | LED | 0 + I | 0 + I | 1 | 1 | parallel | 0 to IV |
| S2 Ma 28 | LED | 0 + II | 0 | 1 | 1 | parallel | 0 to IV |
| S2 Me 28 | LED | I + II | I | 1 | 1 | parallel | 0 to IV |
| | | | | | | | |
| | | | | | | | |
| Type | Recall light | Key | | Snap switch | | | Impulse function spring return |
| | | Position | Key removal | left | right | Function | |
| T1 M 28 | LED | 0 + II | 0 | 1 | 0 | | 0 |
| | LED | 0 + II | 0 | 1 | 1 | parallel | 0 |
| T11 M 28 | LED | III + 0 + II | 0 | 1 | 1 | | 0 |
| | | | | | | | |