

EKS 42 VP

Electronic Key Switch 42, vandal-resistant



Characteristics

When mounted behind a stainless steel faceplate there is no need for a cutout for the EKS 42 in the faceplate. The reader unit will be fixed at the rear of the faceplate by means of welding studs and the reading area will be marked on the front of the faceplate in any way.

This variant is advantageous for example in connection with large push buttons or non-SCHAEFER products to be independent from the design.

With no access from the front the device is furthermore safe from manipulation, thus save from vandalism, water and dust.

Fixinf	welding studs M3 x 20
Faceplate thickness	st. steel, 2 mm
Connection technology	0.1 mm ² ... 1 mm ²
Power supply	U = 12 V ... 30 V DC smoothed
Stand-by current	12 V max. 70 mA / 24 V max. 40 mA
operating current	12 V max. 100 mA / 24 V max. 60 mA with two activated relays
Switching element	switching voltage = max. 60 V DC / 50 V AC switching current = max. 1 A switching capacity = max. 30 W
Temperature range	-25 °C ... +65 °C
Number of participants	max. 156 transponder identifiers
Transponder technology	type "read only" 64 Bit, 40 Bit Data frequency 125 kHz possible identifiers 1.1 x 10 ¹² detection time approx. 0.2 s

Compliance EKS 42 VP



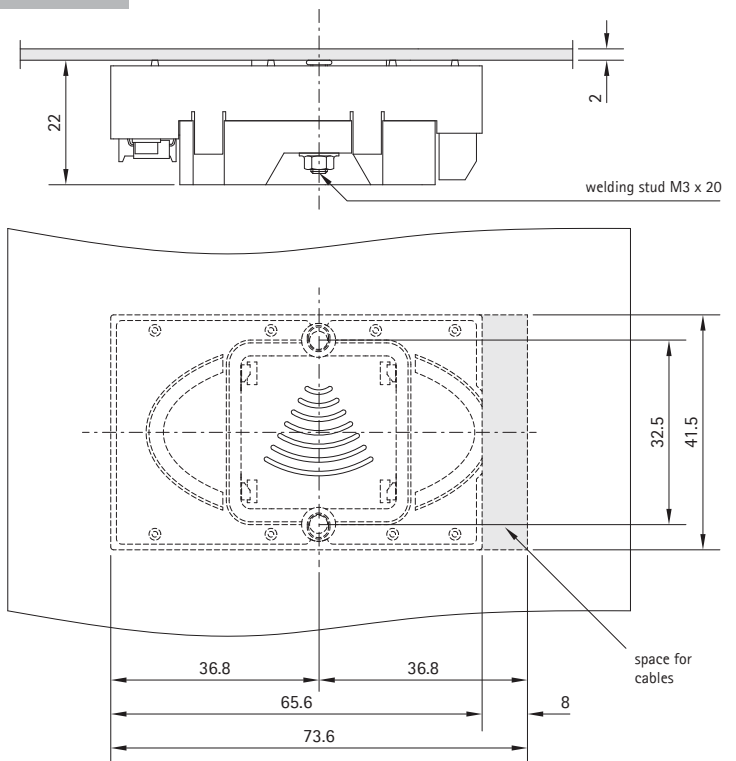
Please order fixing accessories separately.



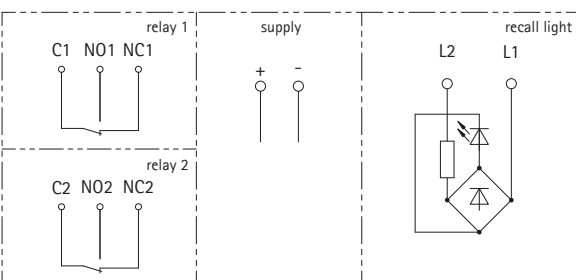
Rear view



Dimensions



Wiring diagram

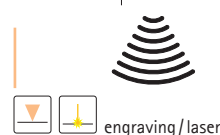


Update / 2013-04

REVISION 3

I

Marking



engraving / laser