

FPS 70

Fingerprint Sensor 70



Description

The fingerprint sensor FPS 70 is a biometric access control system and an administration unit in pocket size.

With the fingerprint sensor FPS 70, access authorisations can easily be established and managed with the remote control. No additional computer required.

Configuration possibility:

- 1 relay (potential-free contact)
- 2 relays (potential-free contact)
- adjustable relay response time (1 to 65 seconds)
- up to 150 fingerprints storable

Characteristics

Outdoor unit

Fixing	welding studs M3 x 8
Faceplate thickness	2 mm, 3 mm
Sensor	Line sensor ATMEL Fingerchip™
Power supply	8 V ... 30 V DC or 8 V ... 12 V AC
Power consumption	1 W, in peaks 3 W
Relais data	24 V AC/DC 5.0 A



Outdoor unit

Indoor unit

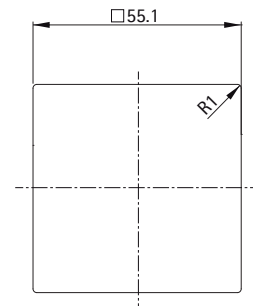
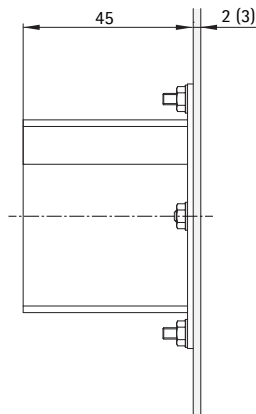
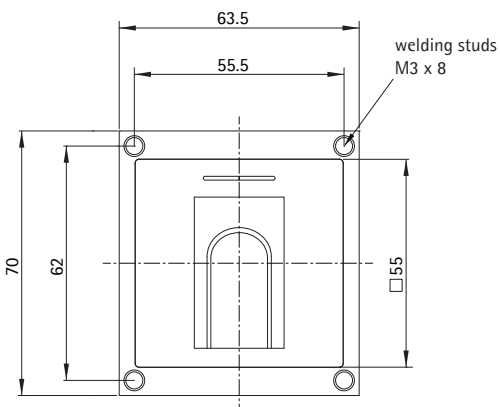
Remote control



Outdoor unit

Dimensions outdoor unit

Cutout



FPS 70

Fingerprint Sensor 70



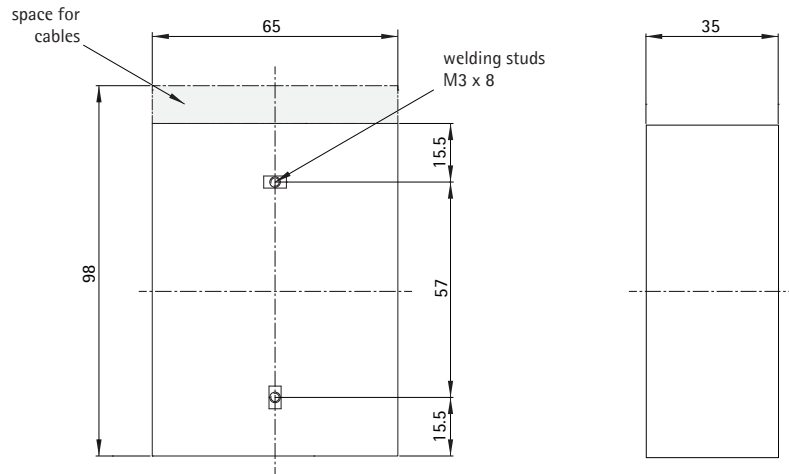
Characteristics

Indoor unit
 Fixing
 Temperature range
 Memory capacity

Protected relay control for the interior
 welding studs M3 x 8
 -20 °C ... + 70 °C
 up to 150 fingerprints

Indoor unit

Dimensions indoor unit



Wiring diagram

