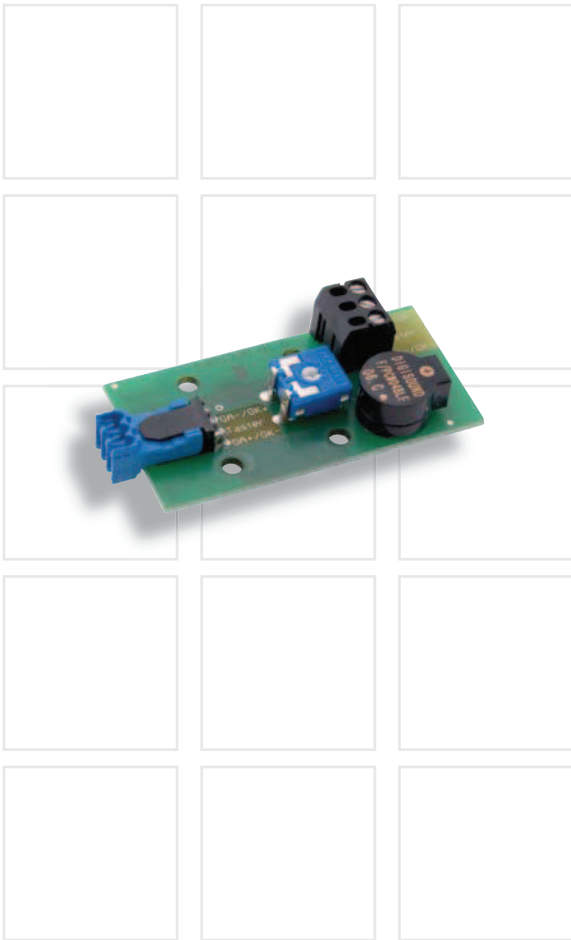


AQ

Acoustic Acknowledgement



Characteristics

Description

The AQ creates two short beeps once a button is pushed and this action is acknowledged by the controller.

If an already acknowledged button is pushed again, the AQ will also sound again (see EN 81-70:2003 (D), table 2 g).

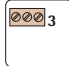
With 3-wire technology the AQ will only release if the call was acknowledged by the controller.

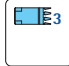
The volume is adjustable via a potentiometer.

Fixing

welding studs M3 x 8 (faceplate fixing)

Connection technology

 0.1 mm² ... 1 mm²

 AWG 26 - 28

Power supply

12 V ... 30 V DC

Closed-circuit current

approx. 12 mA

Operating current

approx. 50 mA

Frequency

2600 Hz

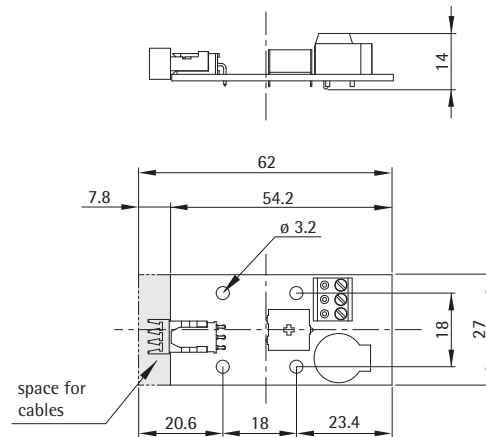
Sound pressure max.

typ. 90 dB (A) (30 cm distance)

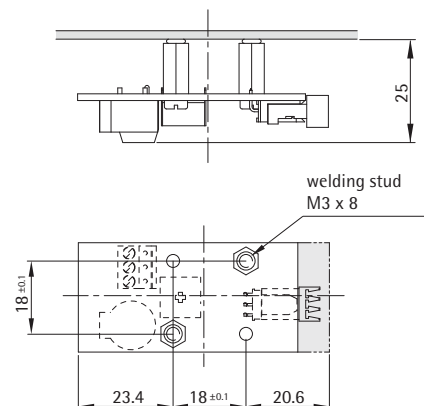
Temperature range


0 °C ... + 65 °C

Dimensions



Fixing



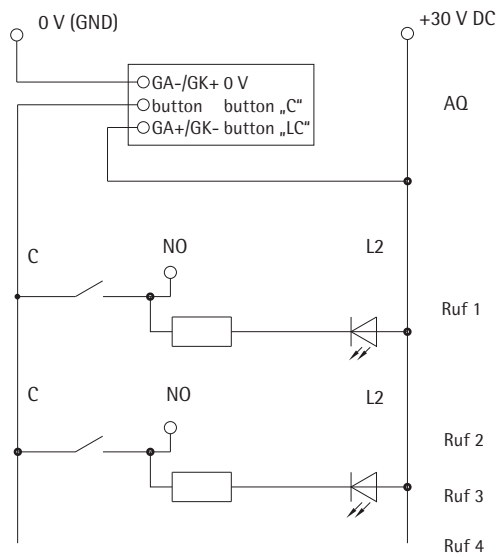
 Please order fixing accessories separately.

AQ

3-wire technology

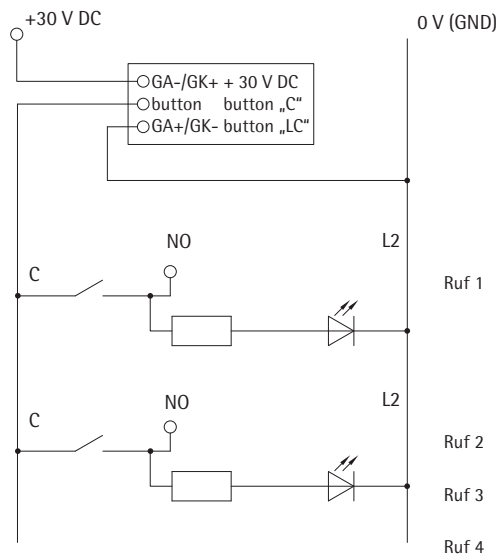


common anode



The acknowledgement signal from the controller must not exceed 1 V.

common cathode



The acknowledgement signal from the controller must not be more than 1 V below the supply voltage.

AQ

4-wire technology



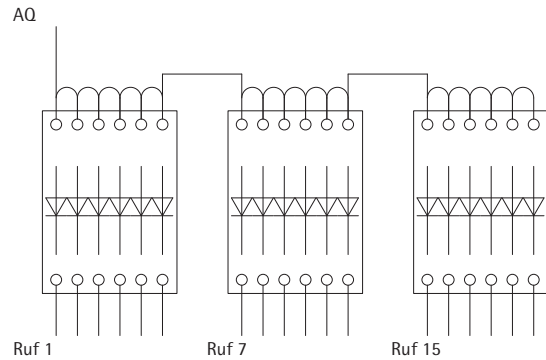
With 4-wire technology only the acoustic acknowledgement of a button being pushed is possible (not of the acknowledgement by the controller).

Thus the AQ will sound with each push, even if the button is not being acknowledged by the controller.

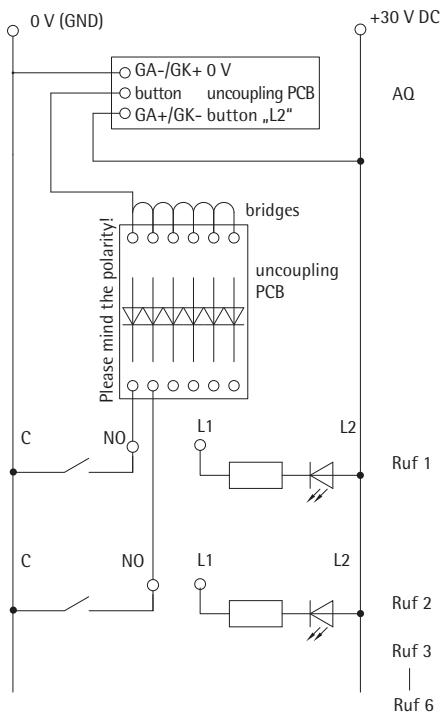
The call lines of the buttons are connected in parallel with the AQ via a diode matrix.

For uncoupling the buttons with a diode, a separate Uncoupling PCB is used.

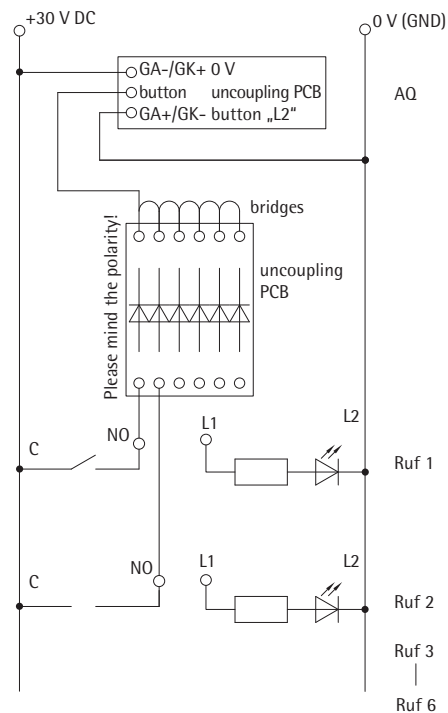
uncoupling



common anode



common cathode



AQ

Uncoupling PCB



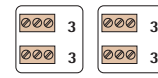
Characteristics

Description

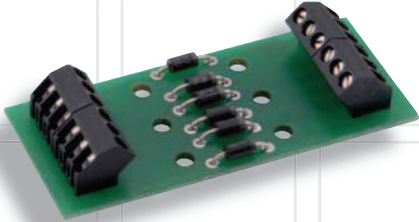
Fixing

Connection technology

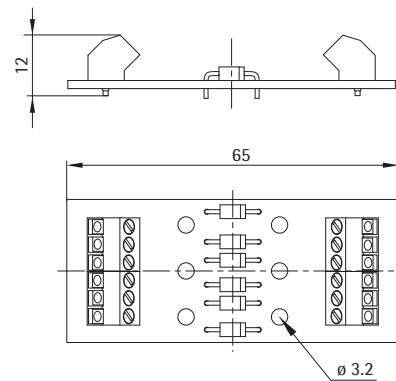
serves for uncoupling buttons having a diode
welding studs M3 x 8 (faceplate fixing)



0.1 mm² ... 1 mm²

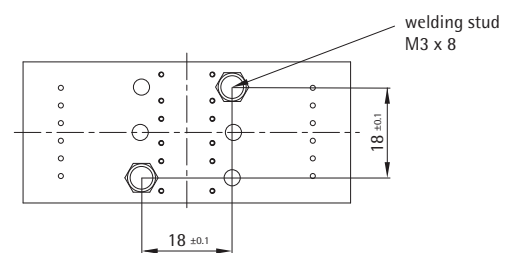
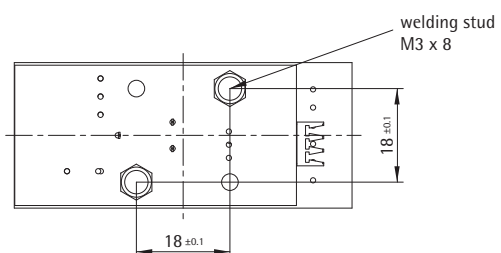
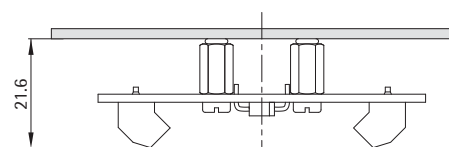
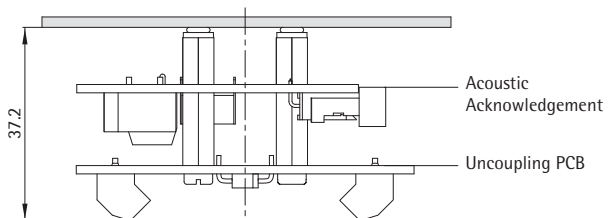


Dimensions



Fixing

fixed at rear (sandwich construction)
AQ and Uncoupling PCB



⚠ Please order fixing accessories separately.