

PG 56

Processor Gong 56



Characteristics

Description

The PG 56 will create 1, 2 or 3 tones once a signal is at the input.

The polarity (common anode or cathode) can be adjusted via a jumper.

The volume can be adjusted via a potentiometer and the tone pitch can be adjusted via a tact switch.

Fixing

welding studs M3 x 8 (faceplate fixing)
fixed behind grille

Connection technology



0.1 mm² ... 1 mm²



AWG 26 - 28

Power supply

12 V ... 30 V DC

Closed-circuit current

max. 12 mA

Operating current

max. 200 mA

Sound pressure

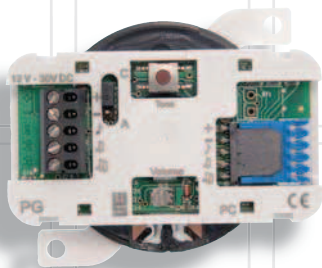
typ. 80 dB (A)

Temperature range

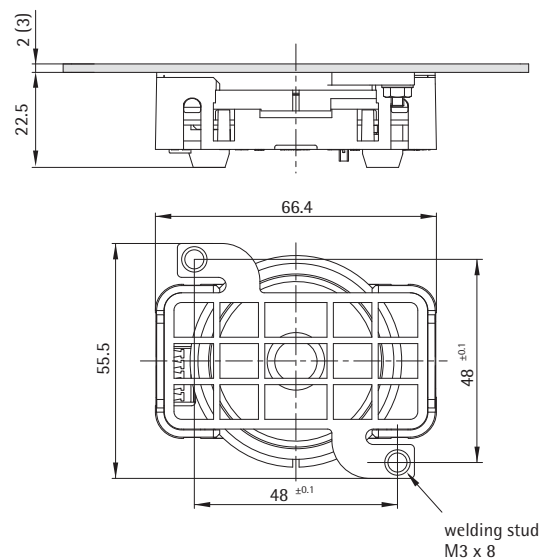
0 °C ... + 65 °C



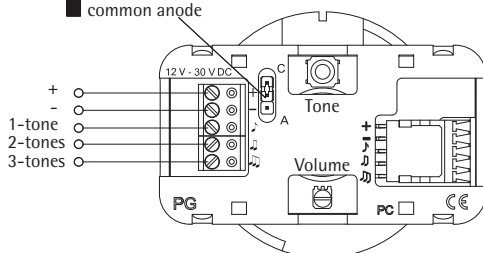
Rear view



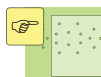
Dimensions



- common cathode
- common anode



⚠ Please order fixing accessories separately.



Grille design depending on fixture design