

# EA 6644

EPSILON

EPSILON Arrow 6644



## Characteristics

Fixing  
Faceplate thickness  
Connection technology

welding studs M3 x 12 (faceplate fixing)

3 mm, 1.5 mm, 2 mm

AWG 26 - 28



0.1 mm<sup>2</sup> ... 1 mm<sup>2</sup>

Illuminated arrow

crystal-clear LED ● ● ● ● ○

red LED ●

green LED ●

Recall light



LED ● ● ● ● ○

option

U = 30 V

U = 12 V

I = approx. 100 mA

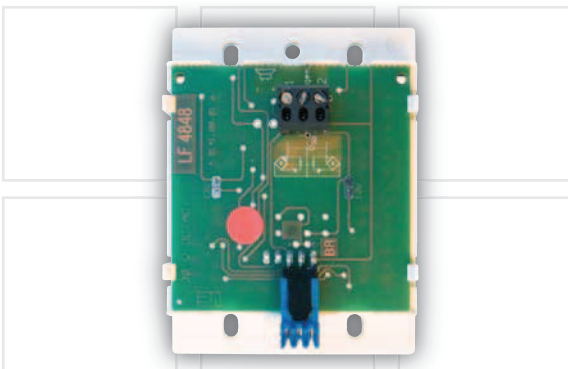
Illumination  
Compliance

arrow illumination

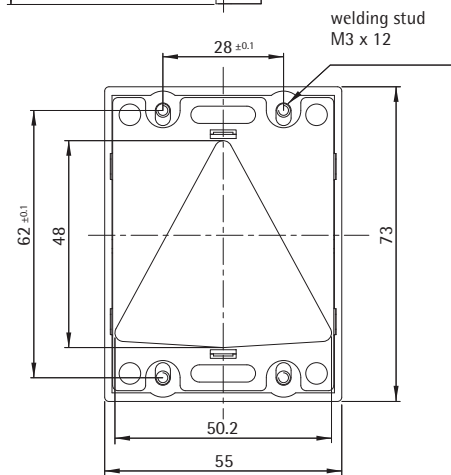
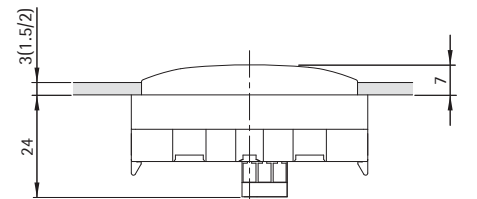


Please order fixing accessories separately.

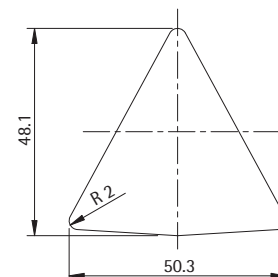
## Rear view



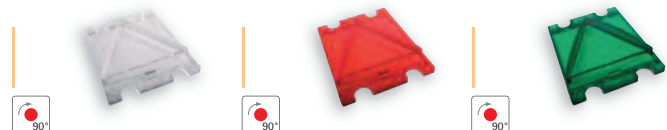
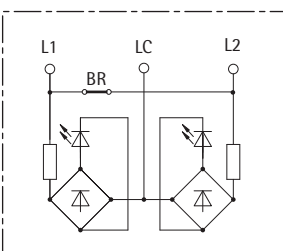
## Dimensions



## Cutout



## Wiring diagram



ORDER DATA

