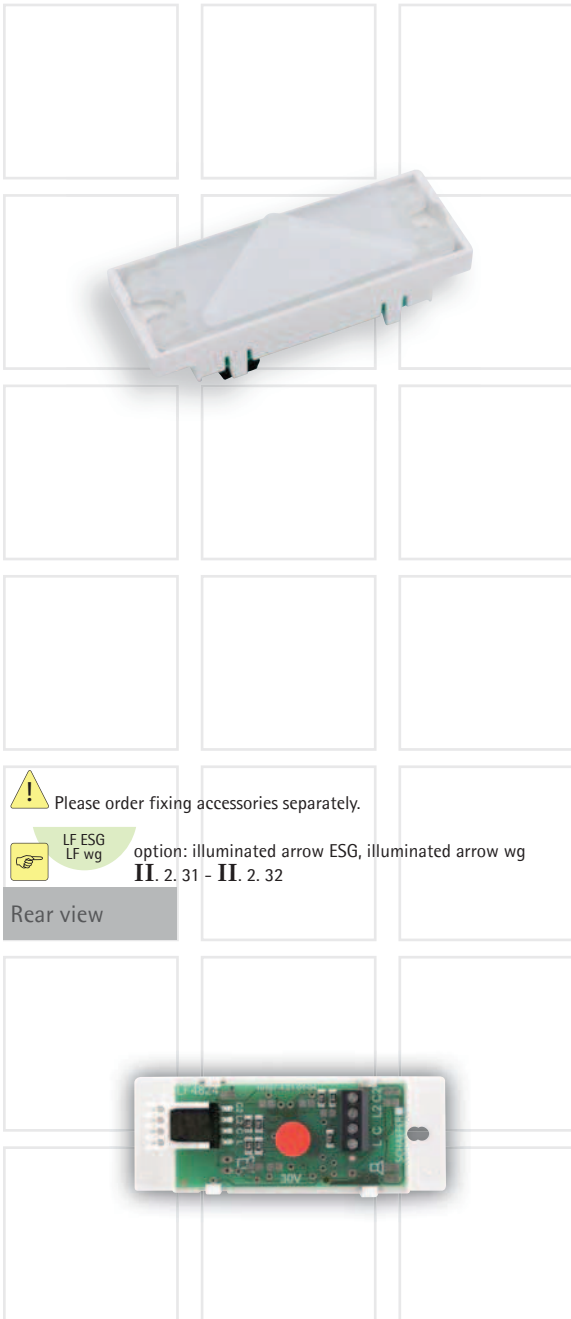


LP 4824 LED

4824 LED



Characteristics

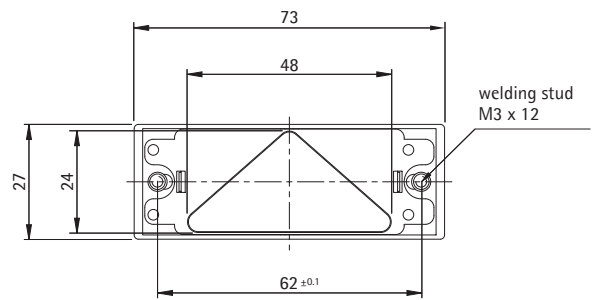
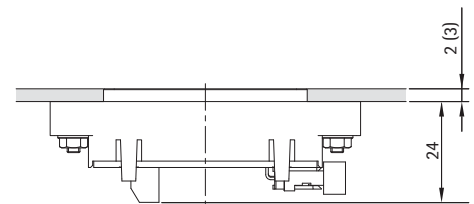
Fixing	welding studs M3 x 12 (faceplate fixing)
Faceplate thickness	2 mm or 3 mm
Connection technology	AWG 26 - 28
	0.1 mm ² ... 1 mm ²
Illuminated arrow	2 mm or 3 mm
	opal LED
	red LED
	green LED
Recall light	LED
option	U = 30 V U = 12 V I1, I2 = approx. 25 mA I total = approx. 50 mA
Illumination	arrow illumination
Compliance	option: combination with illuminated arrow
	LP 4824 ESG LP 4824 wg

Please order fixing accessories separately.

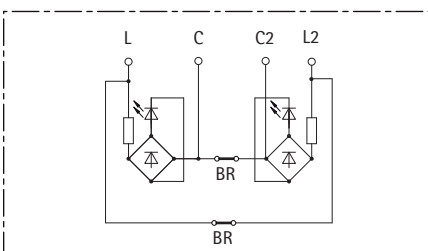
LF ESG option: illuminated arrow ESG, illuminated arrow wg
LF wg II. 2. 31 - II. 2. 32

Rear view

Dimensions



Wiring diagram



Cutout

