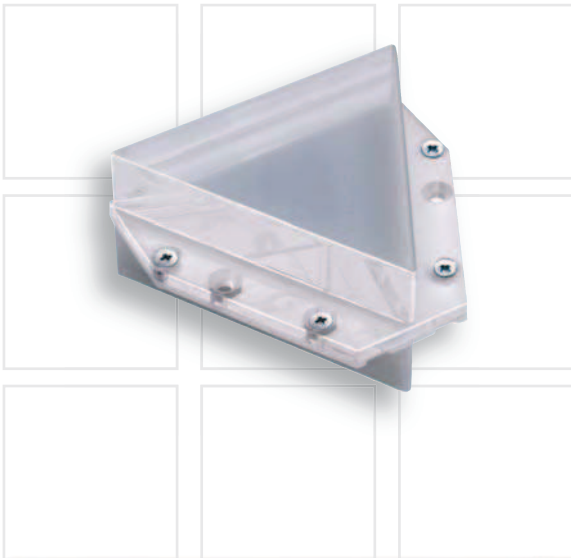


LP 8080

Illuminated Arrow 8080, raised




Characteristics

Fixing welding studs M3 x 8 (faceplate fixing)

Faceplate thickness 1.5 mm ... 10 mm

Connection technology  0.1 mm² ... 1 mm²

Illuminated arrow, raised crystal-clear top

Recall light 

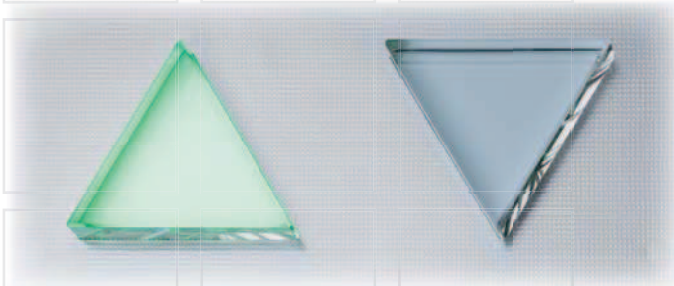
LED 

U = 30 V

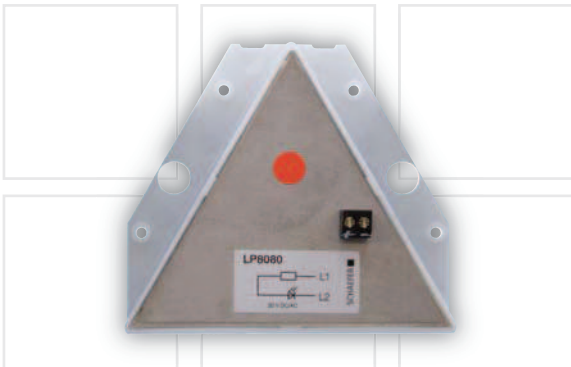
I = approx. 120 mA

Illumination arrow illumination

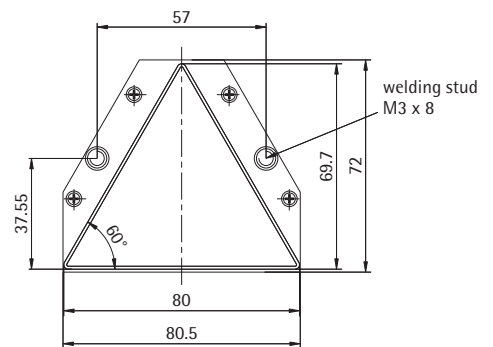
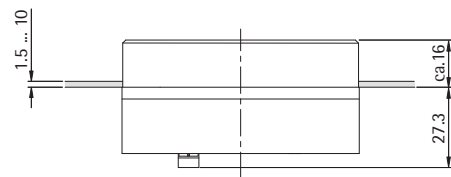
Compliance 



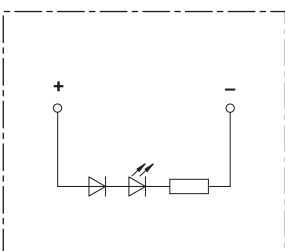
Rear view



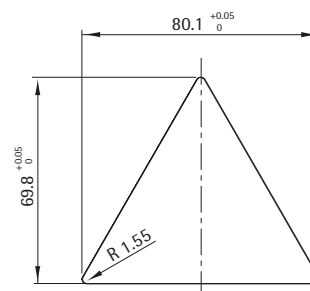
Dimensions




Wiring diagram



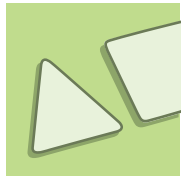
Cutout



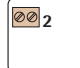
 Please order fixing accessories separately.


LP 8080

Illuminated Arrow 8080, flush



Characteristics

Fixing welding studs M3 x 8 (faceplate fixing)
 Faceplate thickness 2 mm or 3 mm
 Connection technology  0.1 mm² ... 1 mm²

Illuminated arrow, flush
 Recall light 

opal
 LED 

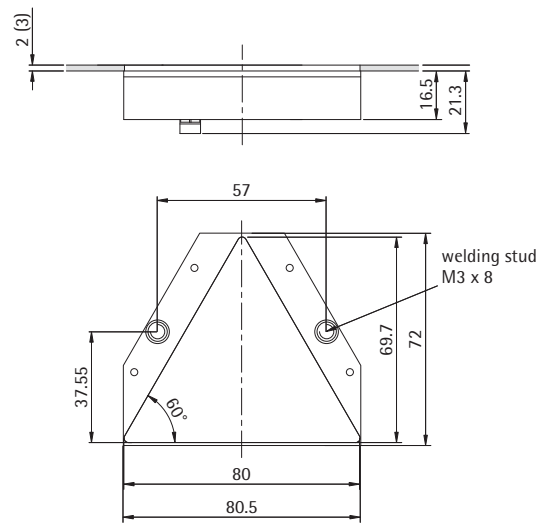
U = 30 V
 I = approx. 120 mA

Illumination arrow illumination
 Compliance 

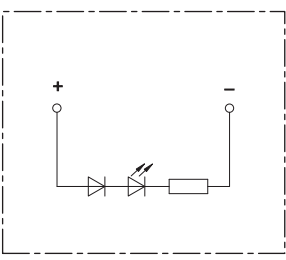
Rear view



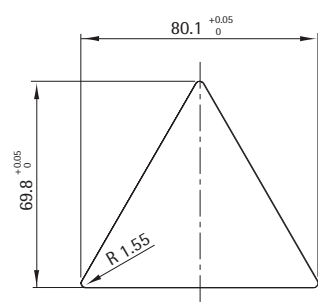
Dimensions




Wiring diagram



Cutout



ORDER DATA

 Please order fixing accessories separately.