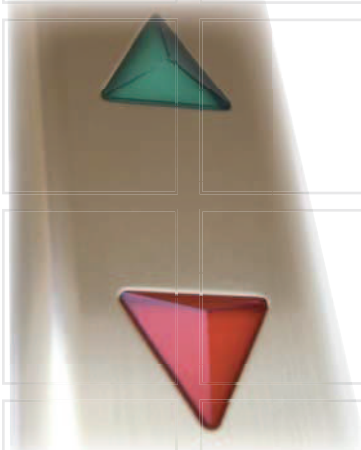


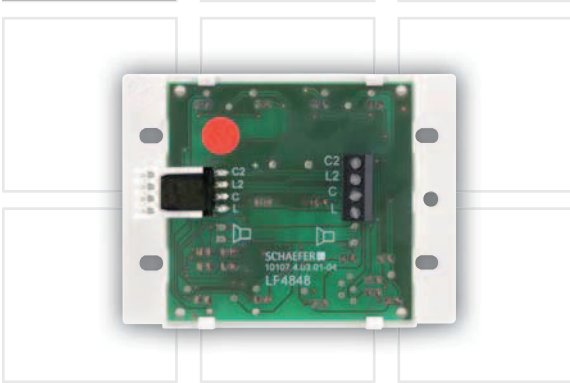
PP 4848 LED

Prism Arrow 4848 LED

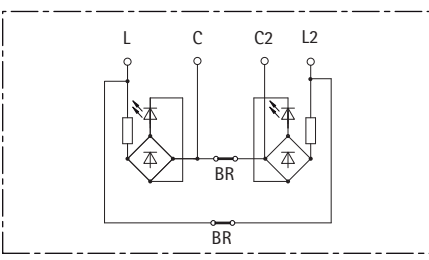


⚠ Please order fixing accessories separately.

Rear view



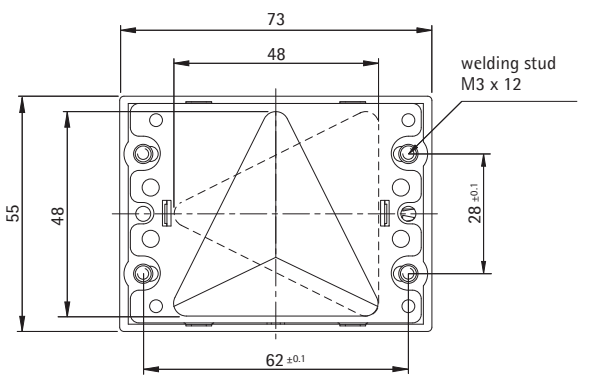
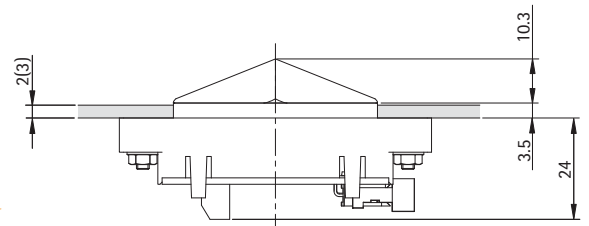
Wiring diagram



Characteristics

Fixing	welding studs M3 x 12 (faceplate fixing)
Faceplate thickness	2 mm or 3 mm
Connection technology	AWG 26 - 28
	0.1 mm ² ... 1 mm ²
Illuminated arrow	2 mm or 3 mm
	opal LED
	red LED
	green LED
Recall light	LED
	option U = 30 V
	option U = 12 V
	I ₁ , I ₂ = approx. 50 mA
	I _{total} = approx. 100 mA
Illumination	arrow illumination
Compliance	

Dimensions



Cutout

