



ELEVATOR COMPONENTS

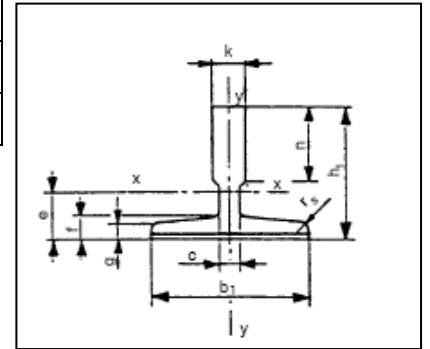
Safety Gear Enquiry Sheet

J&L Enquiry Number		Date	
Company		Contact Person	
Site Ref			
Amendment 3 Compliant YES <input type="checkbox"/> NO <input type="checkbox"/>	Complete A3 System Including Overspeed Governor & Return Pulley YES <input type="checkbox"/> NO <input type="checkbox"/>		

Rated load Q [kg]		Rated speed v_N [m/s]	
Car weight [kg] incl. Car sling		Travel height [m]	
Counterweight [kg]			

Guide Rail

Guide Rail Type			
Guide Rail Thickness (K)	mm	Machined: YES <input type="checkbox"/> NO <input type="checkbox"/>	Cold Drawn: YES <input type="checkbox"/> NO <input type="checkbox"/>
	<input type="checkbox"/> Oiled <input type="checkbox"/> Dry		
Guide Rail Surface (n)	mm		
Distance Between Guides (DGB)	mm		



Overspeed Governor

Governor Type	200mm <input type="checkbox"/> 300mm <input type="checkbox"/>	Return Pulley	Pit Mounted <input type="checkbox"/> Rail Mounted <input type="checkbox"/>
Distance from Centre of Guide Rail to Governor Rope	mm		
Governor Type	200mm <input type="checkbox"/> 300mm <input type="checkbox"/>		

Safety Gear Housing

Housing Prepared for Guide Shoe	YES <input type="checkbox"/> NO <input type="checkbox"/>
Guide Shoe Type	

Factory Information

Offer Number	