

TFT 480 H / V


Thin Film Transistor Display 480, horizontal/vertical



! Further layout variants
II. 1. 45/7 - II. 1. 45/8



Characteristics

Description	TFT-Display (thin-film-transistor) with high graphical resolution
Mounting	horizontal or vertical
Colours	65 535
Fixing	welding studs M3 x 10
Power supply	12 V ... 30 V DC smoothed
Current consumption	120 mA with 24 V
Resolution	480 x 272 pixel (h), 272 x 480 pixel (v)
Backlight	white LED, life cycles 60.000 h
Display area	96 mm x 54 mm (h), 54 mm x 96 mm (v), 4.3 "
Pane TFT 480	crystal clear, 2 mm or 3 mm
Temperature range	0 °C ... +60 °C
Control	dual, gray, BCD, 7-segment, 1 out of n
Connection	common anode or common cathode
Connection technology	 0.14 mm ² ... 1.5 mm ²
Configuration	via TFT-Configurator, on site via buttons
Number of floors	63 floors
Special information	4 special texts/graphics (also as full screen)
Arrow	up / down / up-down/ travel-up / travel-down (travel signal shown as animation)
Compliance	EN 81-71 class 0/class 1/class 2 option: EN 81-70 with modified layout



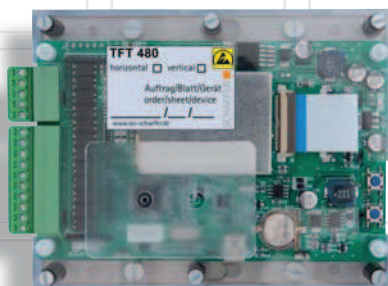
TFT 480 horizontal



TFT 480 vertical

- 1 **Arrows**
up / down / up-down/ travel-up / travel-down / travel signal shown as animation
- 2 **Floor**
Height of caracters smaller than 30 mm
- 3 **Special information/Logo**
special display will replace the logo
- 4 **Load capacity**
Height of caracters smaller than 10 mm
- 5 **Lift data**
Height of caracters smaller than 6 mm
- 6 **Floor information**
(text and picture)

Rear view



Update TFT / 2011-03

REVISION a



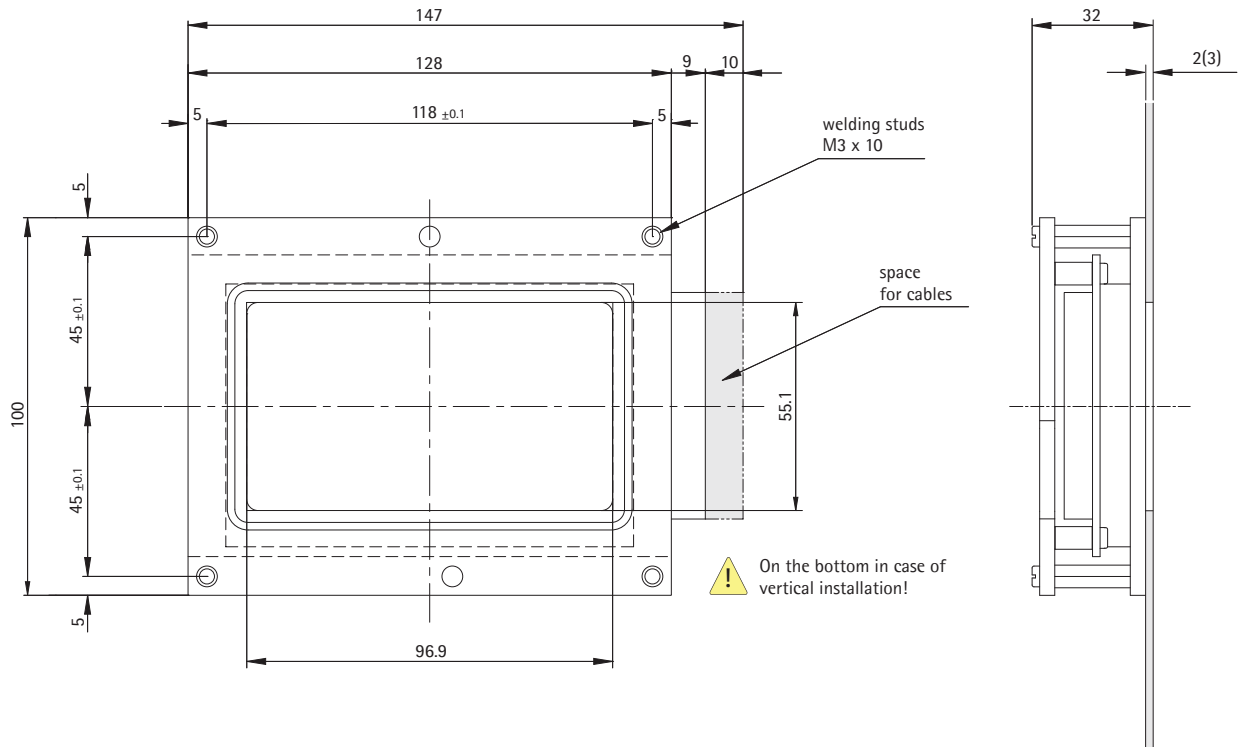
option: Encoder II. 1. 60

TFT 480 H / V

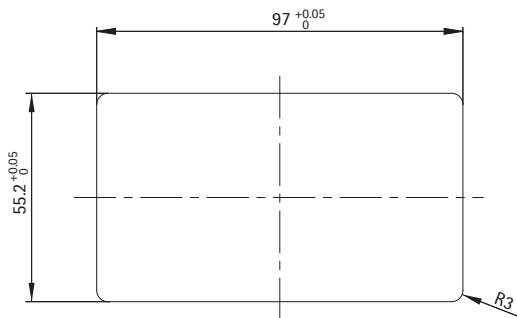
Thin Film Transistor Display 480, horizontal/vertical



Dimensions



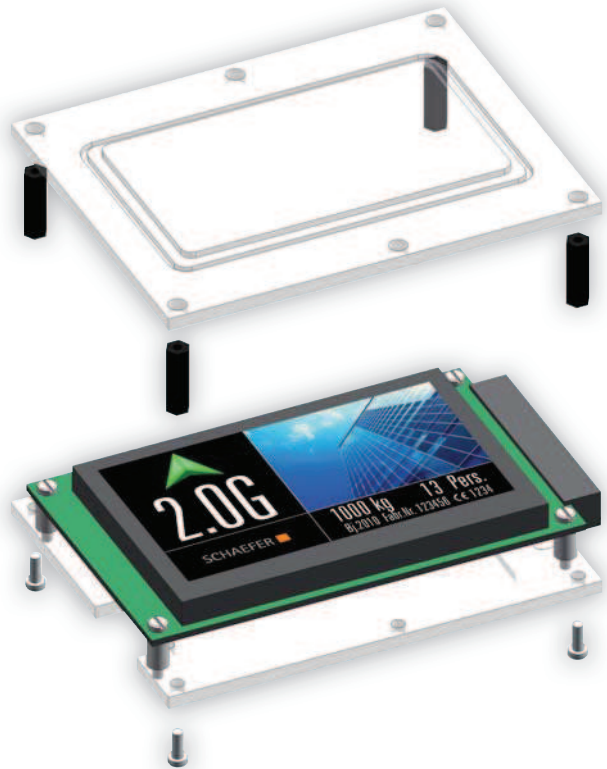
Cutout



Mounting

SET PANE

ASSEMBLY GROUP TFT 480



GUIDE
II. 1. 66/1 - II. 1. 66/2



! Order separately the pane set.

! Safety glass (ESG) wg on demand

Update TFT / 2011-03

REVISION 3

II