

TFT 640 H / V

Thin Film Transistor Display 640, horizontal/vertical



Characteristics

Description	TFT-Display (thin-film-transistor) with high graphical resolution
Mounting	horizontal or vertical
Colours	65 535
Fixing	welding studs M3 x 10
Power supply	12 V ... 30 V DC smoothed
Current consumption	200 mA with 24 V
Resolution	640 x 480 pixel (h), 480 x 640 pixel (v)
Backlight	white LED, life cycles 60.000 h
Display area	116 mm x 87 mm (h), 87 mm x 116 mm (v), 5.6 "
Pane TFT 640	crystal clear, 2 mm or 3 mm
Temperature range	0 °C ... + 60 °C
Control	dual, gray, BCD, 7-segment, 1 out of n
Connection	common anode or common cathode
Connection technology	0.14 mm ² ... 1.5 mm ²



Configuration	via TFT-Configurator, on site via buttons
Number of floors	63 floors
Special information	4 special texts/graphics (also as full screen)
Arrow	up / down / up-down / travel-up / travel-down (travel signal shown as animation)
Compliance	EN 81-70, EN 81-71 class 0/class 1/class 2



! Further layout variants II. 1. 45/7 - II. 1. 45/8



TFT 640 horizontal



TFT 640 vertical

- 1 Arrows
up / down / up-down / travel-up / travel-down / travel signal shown as animation
- 2 Floor
Height of characters 30 mm (norm compliant)
- 3 Special information/Logo
special display will replace the logo
- 4 Load capacity
Height of characters 10 mm (norm compliant)
- 5 Lift data
Height of characters 6 mm (norm compliant)
- 6 Floor-information
(text and picture)

Rear view



Update TFT / 2011-03

REVISION a



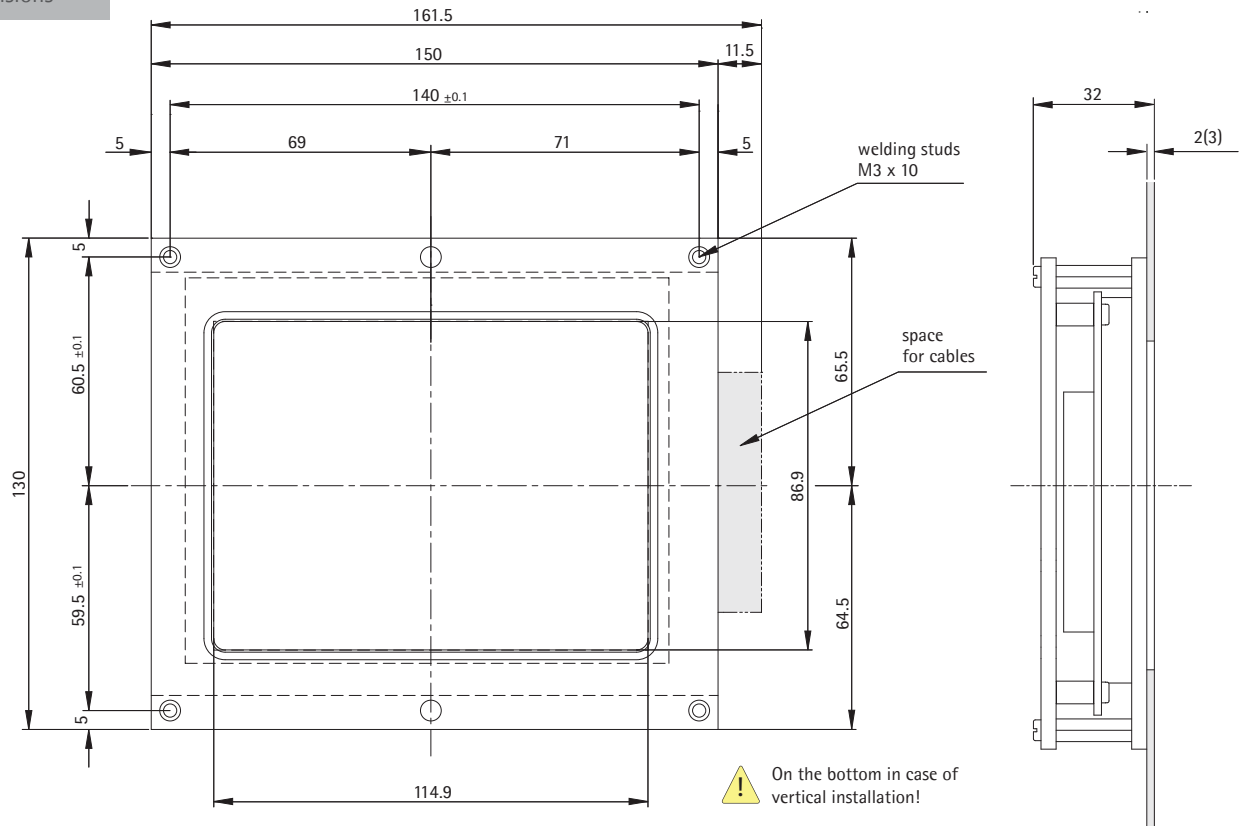
option: Encoder II. 1. 60

TFT 640 H / V

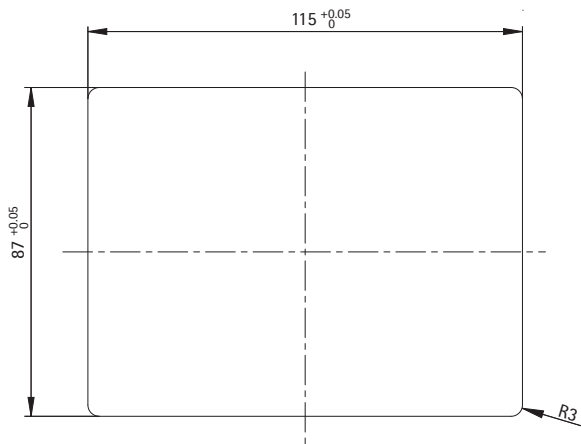
Thin Film Transistor Display 640, horizontal/vertical



Dimensions



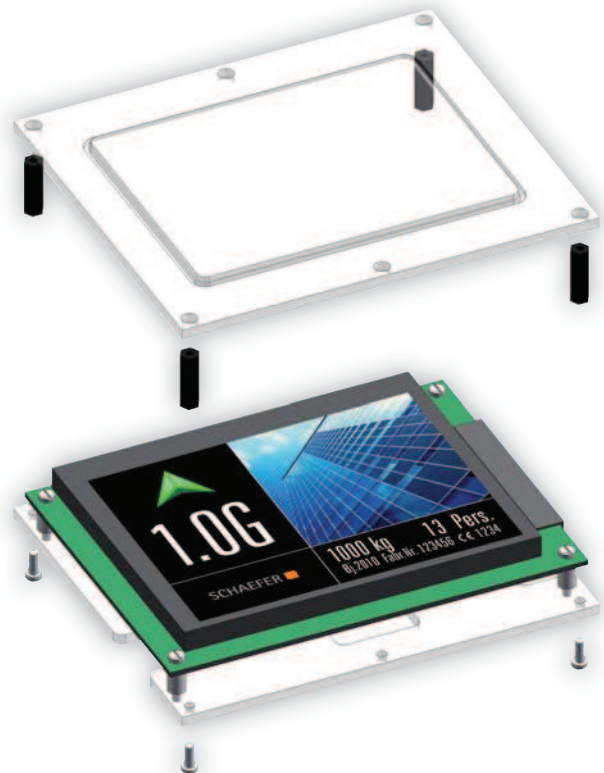
Cutout



Mounting

SET PANE

ASSEMBLY GROUP TFT 640



GUIDE
II. 1. 66/1 - II. 1. 66/2



- ! Order separately the pane set.
- ! Safety glass (ESG) wg on demand

Update TFT / 2011-03

REVISION 3

II