

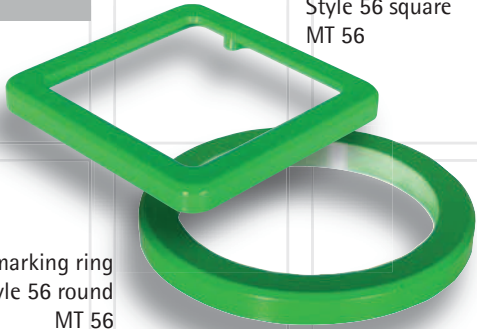
MARKING RING MT 56 / PT 56

56

Style 56 square/round

MT 56

marking ring
Style 56 square
MT 56



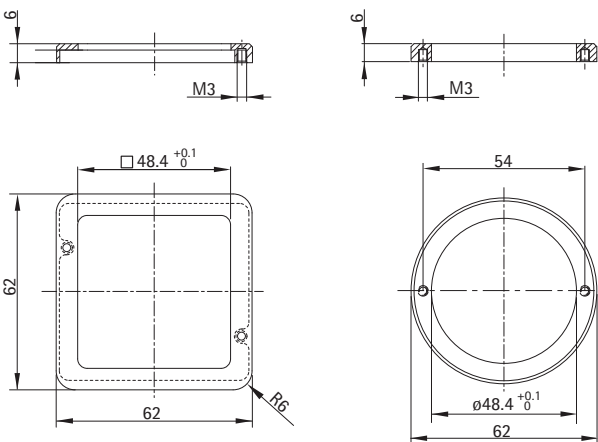
marking ring
Style 56 round
MT 56

Characteristics

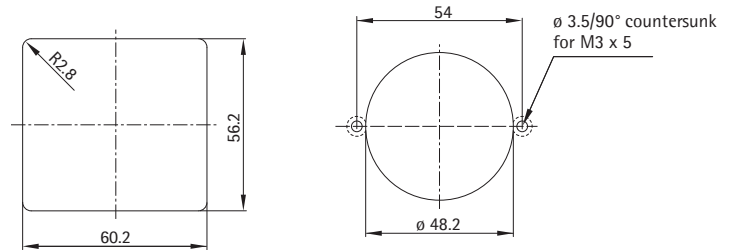
Marking ring aluminium, coated, colour RAL 6018
 Fixing square 2 x cylinder screw M3 x 16 (included)
 Fixing round 2 x countersunk screw M3 x 5 (included)
 Function identification of exit floor level
 Compliance



Dimensions

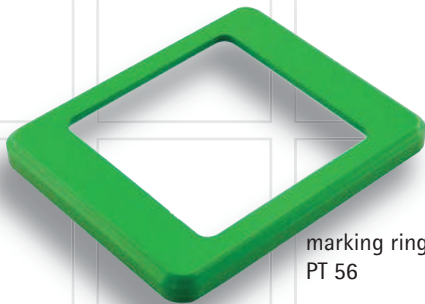


Cutout



PT 56

marking ring
PT 56



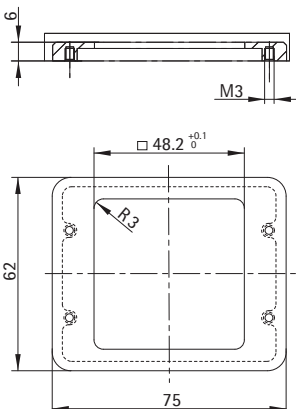
Characteristics

Marking ring aluminium, coated, colour RAL 6018
 Fixing 4 x cylinder screw M3 x 8 (included)
 Function identification of exit floor level
 Compliance



option

Dimensions



Cutout

