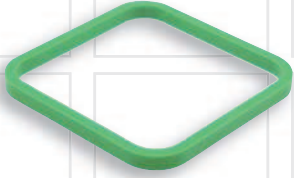


# MARKING RING

50

Style 50, square/round

Marking ring  
Style 50 square



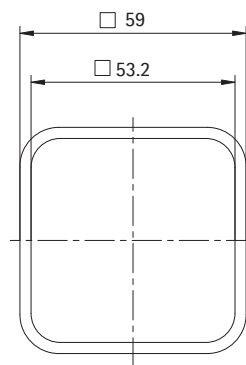
## Characteristics

Marking ring  
Fixing  
Function  
Combination  
Compliance

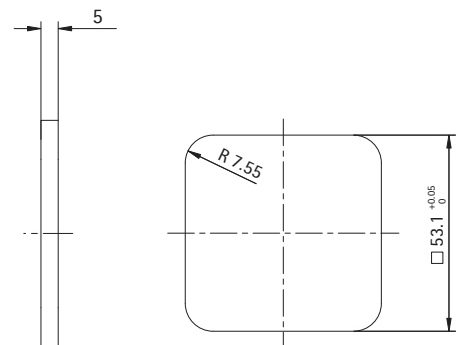
plastic (PC), colour RAL 6018  
clamped between button and faceplate  
identification of exit floor level  
B 50 Q



## Dimensions



## Cutout



Marking ring  
Style 50 square  
with B 50 R



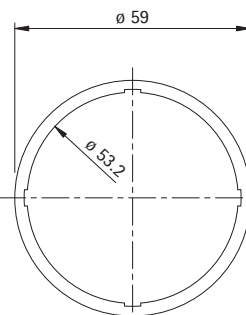
## Characteristics

Marking ring  
Fixing  
Funktion  
Combination  
Compliance

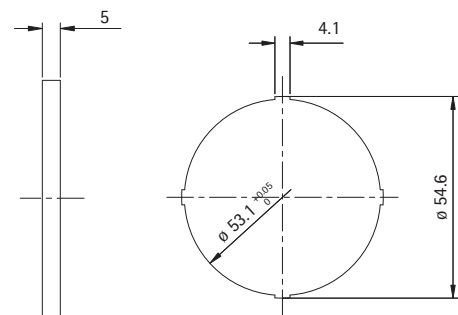
plastic (PC), colour RAL 6018  
clamped between button and faceplate  
identification of exit floor level  
B 50 R



## Dimensions



## Cutout



Marking ring  
Style 50 round



Marking ring  
Style 50 round  
with B 50 R

